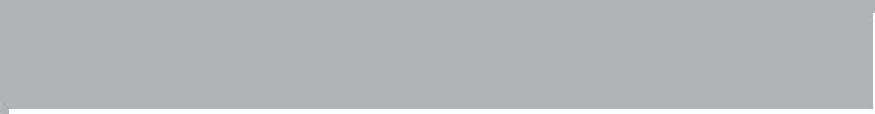


# GENERAL SHOWER



**General Shower is a brand creating  
innovative, user-friendly, sustainable  
shower system and faucets**

## General Shower Technology: TPS Cartridge®

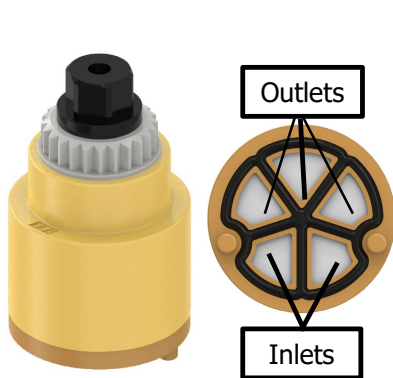
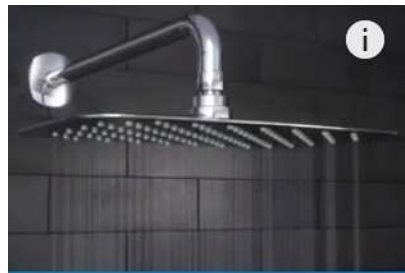
제너럴샤워 핵심기술: TPS 카트리지

### Built-In 3-way Diverting Function

#### 3 방향 변환기능 내장

Patented TPS Cartridge has a built-in 3-way diverter inside the cartridge with 2-inlet and 3-outlet ports. This technology enables streamlined faucet design by eliminating extra diverters and complex structure with diverter mounted on the faucet.

특허기술인 TPS카트리지는 내장형 3기능 다이버터를 카트리지 내부에 갖추고 있습니다. 별도의 외장형 다이버터가 불필요 하고, 이에 따라 복잡한 수전의 구조를 단순화 할 수 있게 되어, 보다 조화로운 수전 디자인을 가능케 합니다.



## General Shower Technology: TPS Cartridge®

제너럴샤워 핵심기술: TPS 카트리지

### Temperature Memory Function

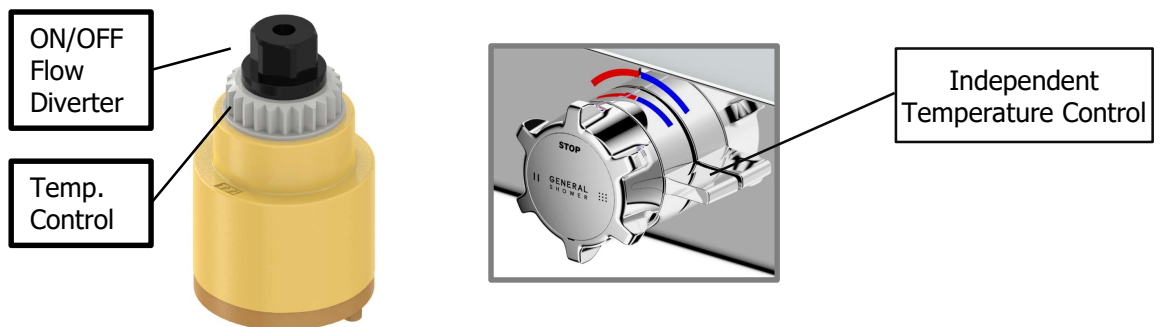
#### 온도기억 기능

TPS Cartridge memorizes the last shower temperature setting through its patented independent temperature control, thus the user have no need to wait or adjust for comfortable showering temperature every time they turn on the faucet. Conventional cartridge mostly cannot provide water of exactly the same temperature when closing/re-opening the faucet or adjusting the volume of water flow.

TPS카트리지는 직전 샤워할 때와 같은 온도의 물이 나오므로 수전을 켤 때마다 매번 온도 조절을 할 필요가 없습니다. 기존 수전은 물을 껐다 켜거나, 유량을 조절할 때마다 온도의 변동이 생겨 매번 온도조절이 필요합니다.

This feature encourages consumers to turn off the faucet when not needed as water temperature remains the same, enabling them to save significant volume of water.

이런 특수기능에 의해 물온도가 일정하게 유지되고 매번 온도조절을 할 필요가 없으므로 사용자는 언제든지 쉽게 수전을 끄거나 유량조절을 할 수 있으며, 이에 따라 상당한 물 절약 가능케 해줍니다.



## Water Saving Function for a Green Environment

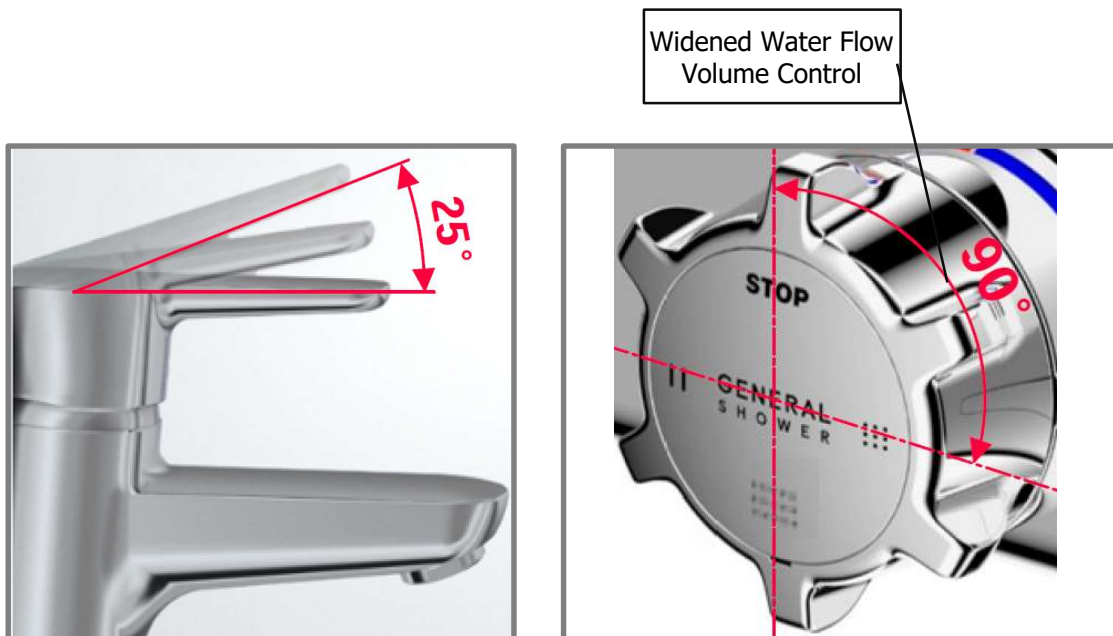
### 환경보존을 위한 물절약기능

Widened to 90°, easy-to-control rotating knob of TPS Cartridge allows users to reduce volume of water flow easily for huge water saving compared to the conventional lever handle that has only limited 25° control range.

유량 조절범위가 90°로 확대되고, 유량 조절이 쉬운 회전타입의 핸들은 쉽게 유량 미세조절을 하여 물절약을 하게 해줍니다. 기존 수전은 유량 조절범위가 25°로 제한되어 있어 유량 미세 조절이 어렵습니다.

Also, temperature variation during volume change of water flow is another factor forcing consumers to use conventional faucet at fully opened volume of water flow. With TPS Cartridge that provides water of consistent temperature water at all circumstances, you can join in saving water to create a greener planet for ourselves and the future generations to come.

또한 기존 수전에서는 유량을 조절할 때 물온도의 변동이 발생하기 때문에, 대부분 샤워 수전을 항상 최대 유량으로 사용하게 되고, 이는 물낭비의 큰 요인이 됩니다. 항상 일정한 온도의 물을 공급하는 TPS카트리지를 사용하여 적정량의 유량으로 편안한 샤워를 즐김과 동시에 우리와 미래세대를 위한 물절약도 실천하실 수 있습니다.



## General Shower Innovation: TMP System

제너럴샤워 혁신: TMP 시스템

To maximize the benefits of TPS Cartridge technology, General Shower has added high performance Pressure Balance Valve, Manifold/Housing to TPS Cartridge to create the TMP System. TMP System stands for **T**PS Cartridge, **M**anifold and **P**ressure Balance Valve.

TPS카트리지 기술의 장점을 극대화 시키기 위해, 제너럴샤워는 고성능 자동압력조절밸브와 매니폴드/하우징을 TPS카트리지에 결합하여 TMP시스템을 창조하였습니다. TMP는 TPS카트리지, 매니폴드, 자동압력조절밸브의 약자입니다.

### Flexible Application with Latest Engineering Plastic Technology

#### 최신 플라스틱기술을 탑재한 유연한 적용성

As a fully functional independent faucet by itself, TMP system provides flexibility for the design and application of Exposed Shower, Bath & Shower Faucet. Latest Engineering Plastic material provides robust and resilient characteristics to TMP system, enhancing its reliability.

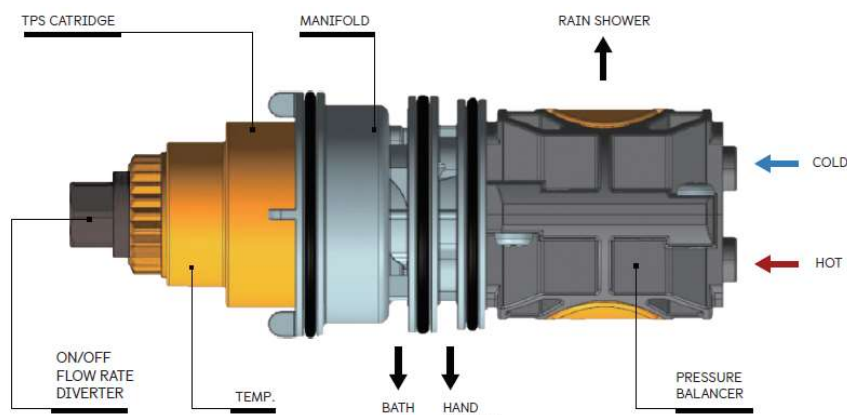
그 자체로 독립적인 수전인 TMP시스템은 샤워 수전 설계 및 적용성에 많은 유연성을 제공합니다. 최신 엔지니어링플라스틱을 사용하여 제조된 부품은 TMP시스템의 내구성을 보장해 줍니다.

### Best Automatic Compensating Valve Performance

#### 최고수준의 자동조절밸브 성능

Though it has slightly different characteristics, the General Shower's latest Pressure Balance Valve offers the best performance as an automatic compensating valve even against Thermostat Faucet . With less temperature fluctuation and fast restoration in case of pressure change in the plumbing system, TMP System ensures your showering experience is enjoyable all the time and every time.

써머스타트 수전과는 일부 다른 특성을 가지고 있지만, 제너럴샤워의 최신 압력자동조절밸브는 압력변동에 대하여 최고의 자동조절 성능을 자랑합니다. TMP 시스템은 급수라인의 압력변화에 따른 압력 편차를 최소화 시키는 성능과 편차온도를 빠르게 원상복구 시키는 성능으로 항상 안전하고 편안한 샤워 경험을 제공해 드릴 것입니다.



## General Shower Breakthrough: Universal Rough-In Box

제너럴샤워 진보: 매립형 유니버설 박스

### Easy, Flexible Installation

#### 쉽고 유연한 설치 방식

General Shower's Dream Rough-In Box is equipped with several features that make installation on any types of wall easy and flexible, whether they are Dry, Brick, Concrete walls or installation requires Front, Mid, or Rear mounting.

제너럴샤워의 매립형 유니버설 박스는 여러가지의 기능을 갖추고 있어서 어떤 벽체 타입이든지, 수전고정위치가 전, 중간, 후면이든지 간에 쉽고 유연한 설치를 가능하게 해 줍니다.

### Water Tight Installation

#### 확실한 방수 설치

General Shower provides Test Cover for pressure test as well as for flushing of the plumbing line. Water-tight seals provide extra safety preventing damage to the wall even in case of water leakage for any reason. Also these seals are able to reduce the noise level for consumer comfort.

제너럴 샤워는 압력테스트와 배관 라인 청소를 위한 테스트커버를 제공해 줍니다. 방수 Seal 을 적용하여 만일의 경우 어떤 이유에서 든지 벽내부에 누수가 발생하더라도 벽의 손상을 방지해 줍니다. 또한 이 Seal은 소음을 줄여주어 편안한 샤워 경험을 가능케합니다.

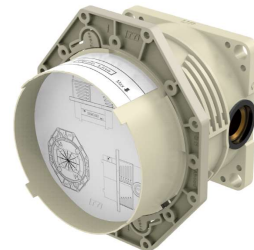
#### TRIM



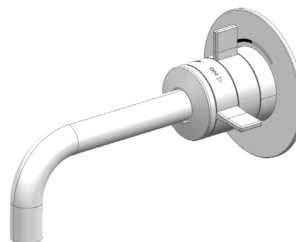
#### ROUGH-IN



**MURRAY** Series  
(GC500)



**VOLGA** Series  
(GC300/400)



Dry Wall

Concrete/Brick/Dry Wall

**TECTONICS** Series  
(GL300/400)  
Wall Mount Basin

# DESIGNS

ELBE

TEVERE

TECTONICS

NILE

VOLGA

MURRAY



# ELBE

Shower \_ Exposed

ELBE

GB100

Style / Finish Options



Glass



Chrome



Extended Glass



Extended Chrome



Extended Wood



Extended Metal

GENERAL SHOWER  
ELBE Series | GB100

# ELBE

## GB101

### Hand Shower

Cover Finish	Denote
Chrome	SC
Glass	SG
Extended Chrome	EC
Extended Glass	EG
Extended Wood	EW
Extended Metal	EM



Glass

**GENERAL SHOWER**  
ELBE Series I GB101

# ELBE

## GB102

### Rain Shower

Cover Finish	Denote
Chrome	SC
Glass	SG
Extended Chrome	EC
Extended Glass	EG
Extended Wood	EW
Extended Metal	EM



Extended Glass

**GENERAL SHOWER  
ELBE Series | GB102**

# ELBE

## GB103

### Hand Shower Tub Spout

Cover Finish	Denote
Chrome	SC
Glass	SG
Extended Chrome	EC
Extended Glass	EG
Extended Wood	EW
Extended Metal	EM



GLASS

**GENERAL SHOWER**  
**ELBE Series | GB103**

# ELBE

## GB104

### Hand Shower Rain Shower

Cover Finish	Denote
Chrome	SC
Glass	SG
Extended Chrome	EC
Extended Glass	EG
Extended Wood	EW
Extended Metal	EM



Extended Wood

**GENERAL SHOWER  
ELBE Series | GB104**

# ELBE

## GB105

**Hand Shower  
Rain Shower  
Tub Spout**

Cover Finish	Denote
Chrome	SC
Glass	SG
Extended Chrome	EC
Extended Glass	EG
Extended Wood	EW
Extended Metal	EM



Extended Metal

**GENERAL SHOWER  
ELBE Series | GB105**

# NEVERE

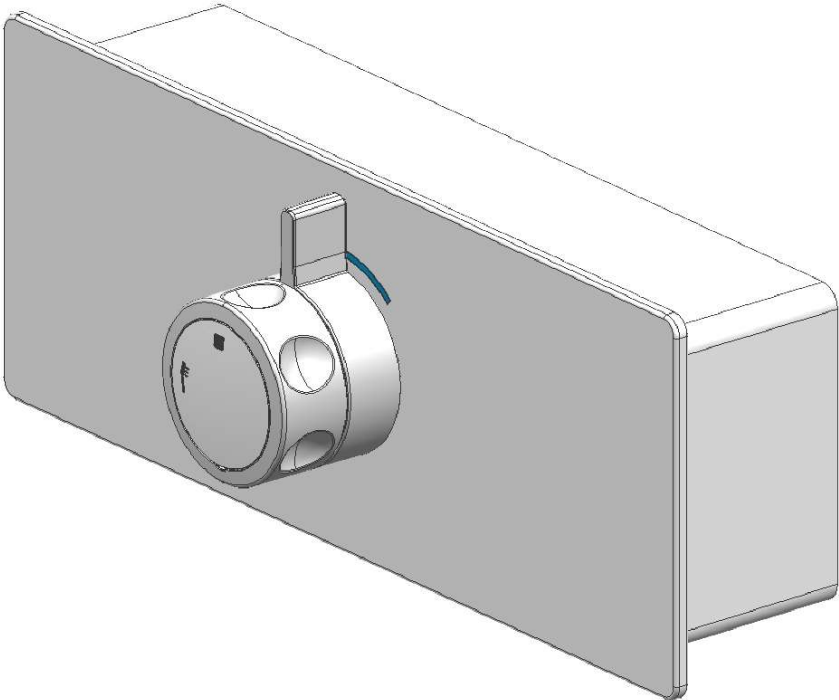
Shower \_ Exposed



TEVERE

GB201

Hand Shower

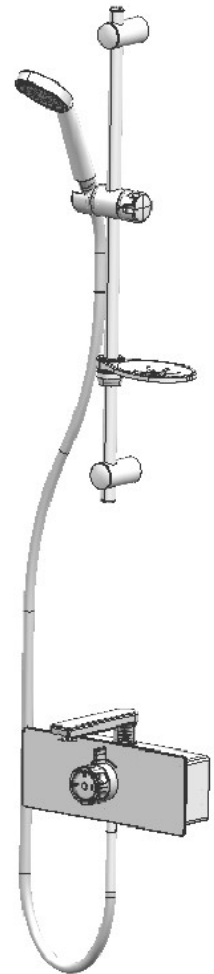
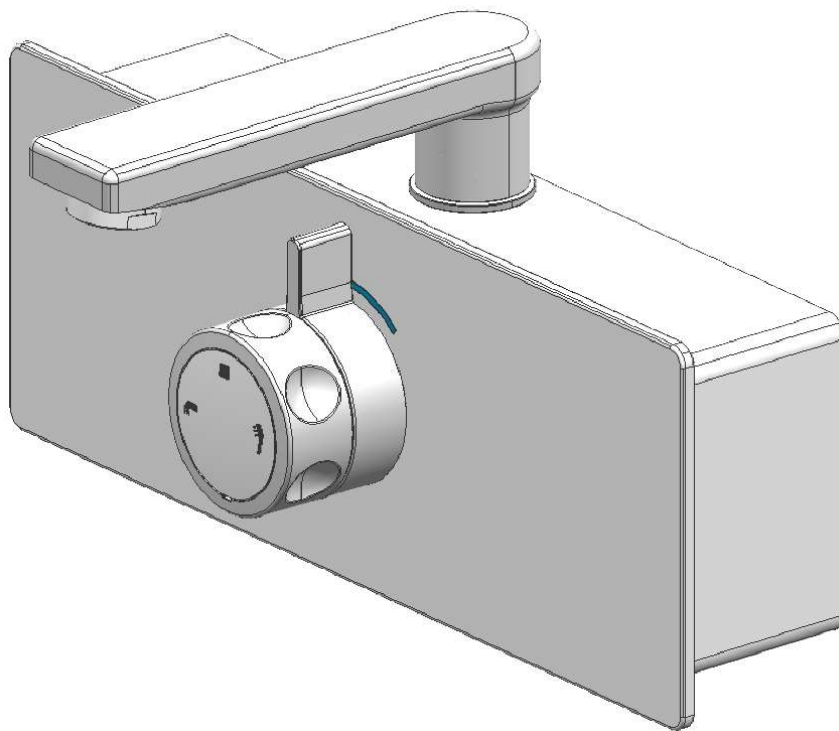


**GENERAL SHOWER**  
**TEVERE Series I GB201**

# TEVERE

## GB203

**Hand Shower  
Tub Spout**



**GENERAL SHOWER  
TEVERE Series I GB203**

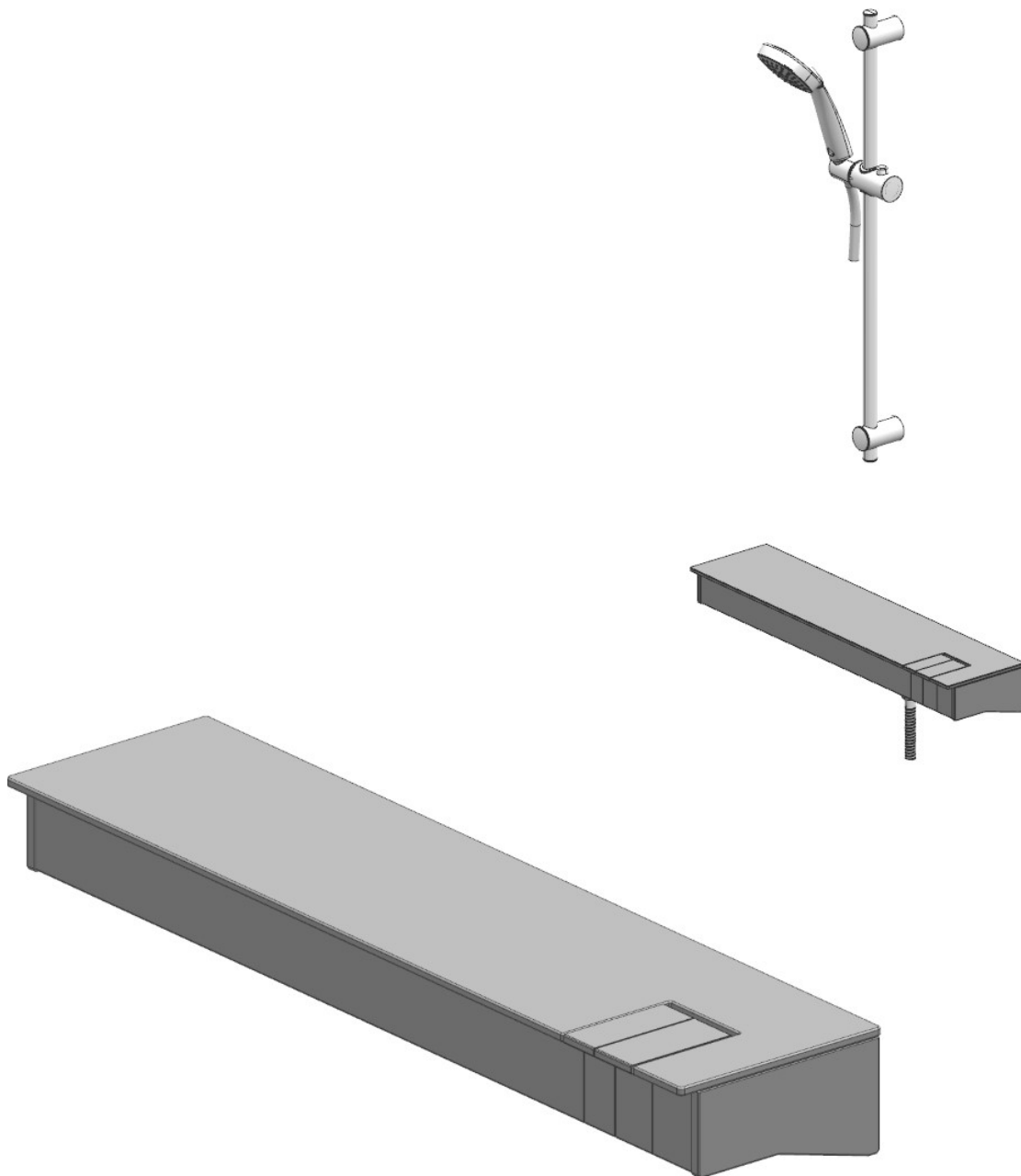
# TECTONICS

Shower \_ Exposed

TECTONICS

GB301

Hand Shower

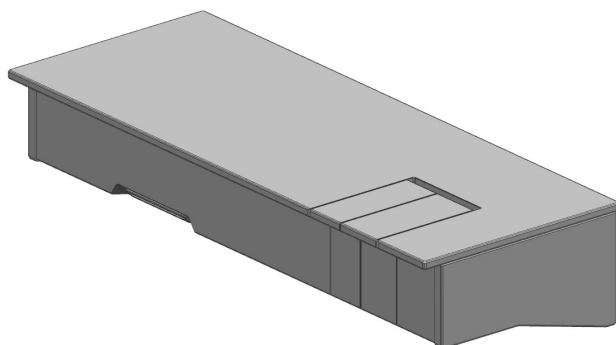
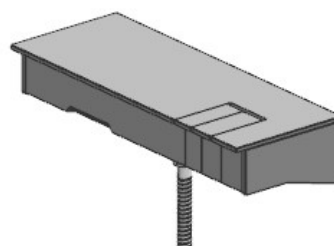


**GENERAL SHOWER**  
**TECTONICS Series I GB301**

TECTONICS

GB303

Hand Shower  
Tub Spout

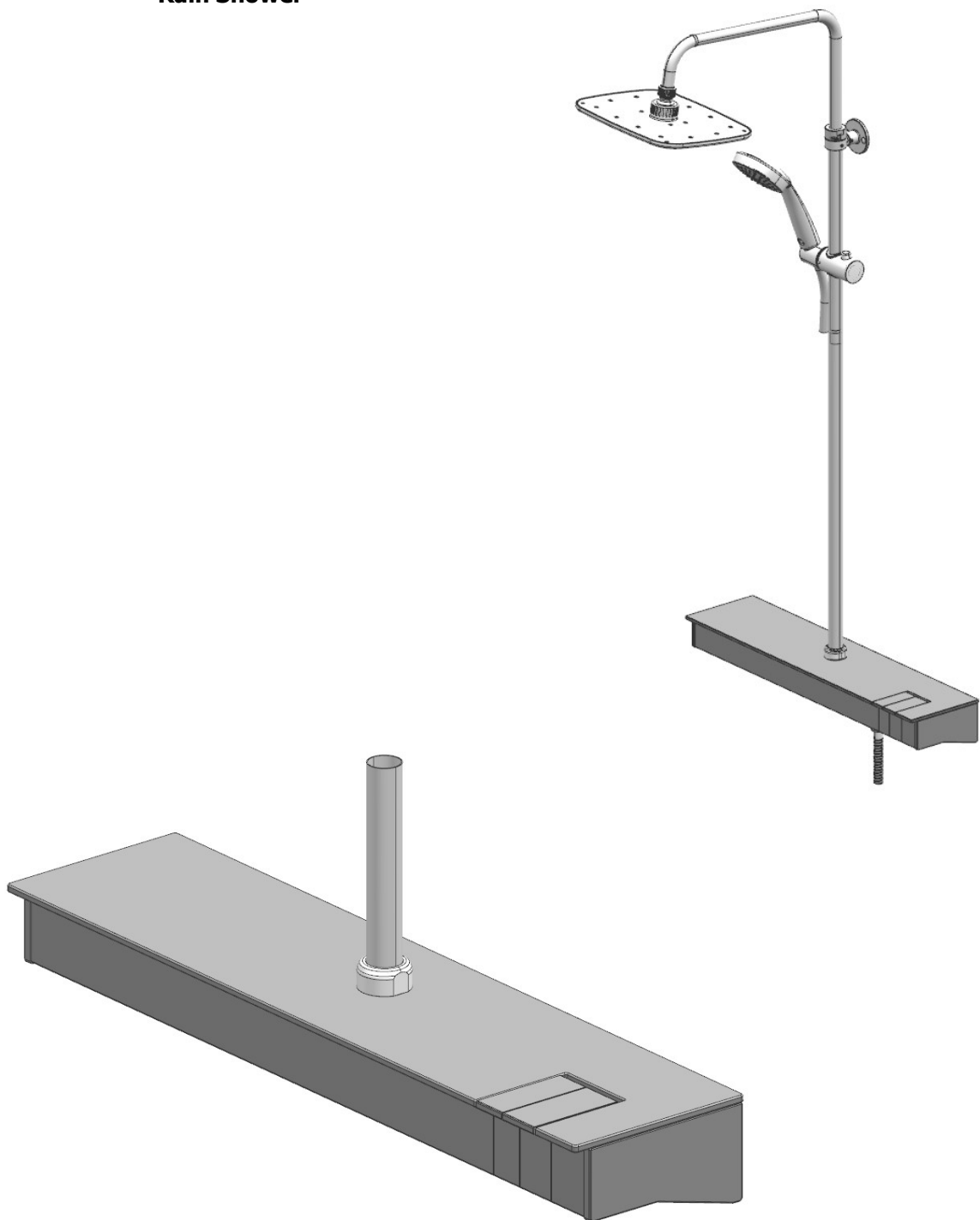


**GENERAL SHOWER**  
**TECTONICS Series I GB303**

TECTONICS

GB304

Hand Shower  
Rain Shower

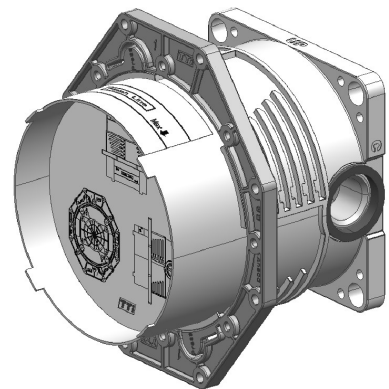
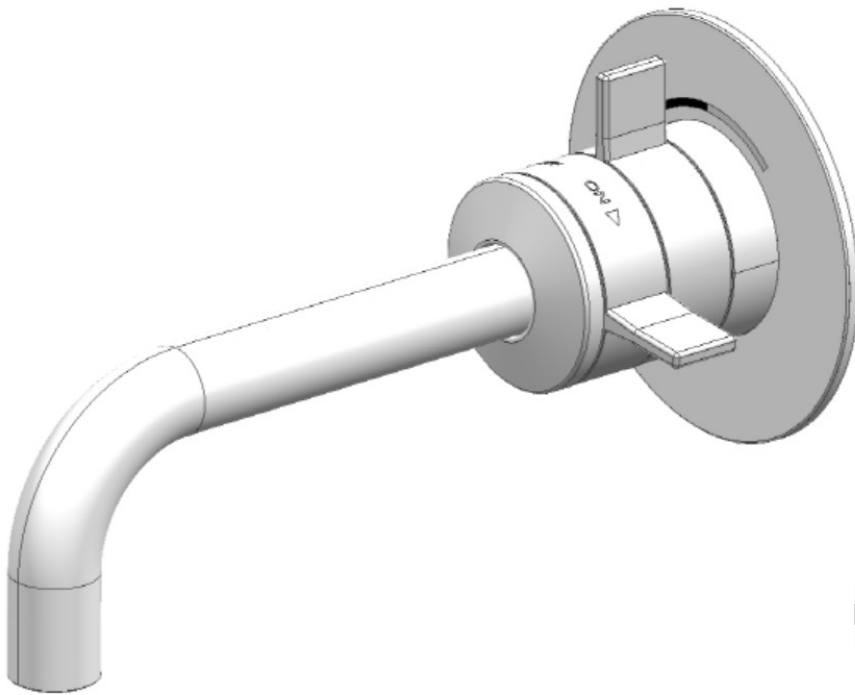
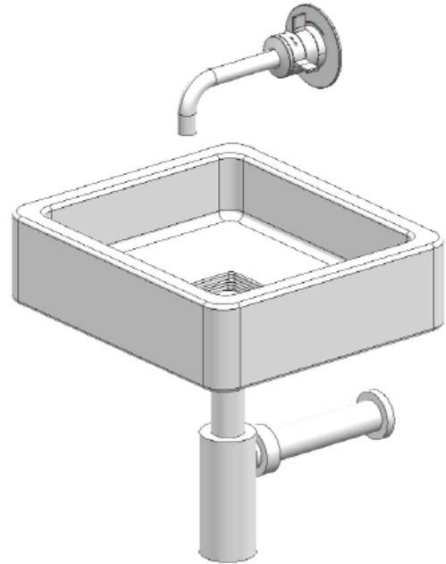


GENERAL SHOWER  
TECTONICS Series I GB304

TECTONICS

GL301

Wall Mount Basin Faucet  
Dry Wall Application

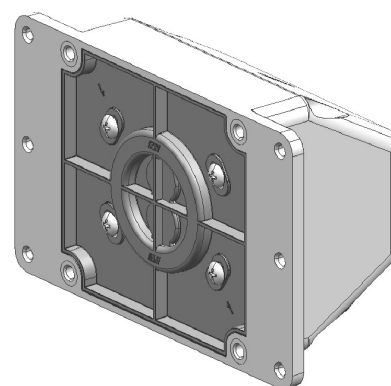
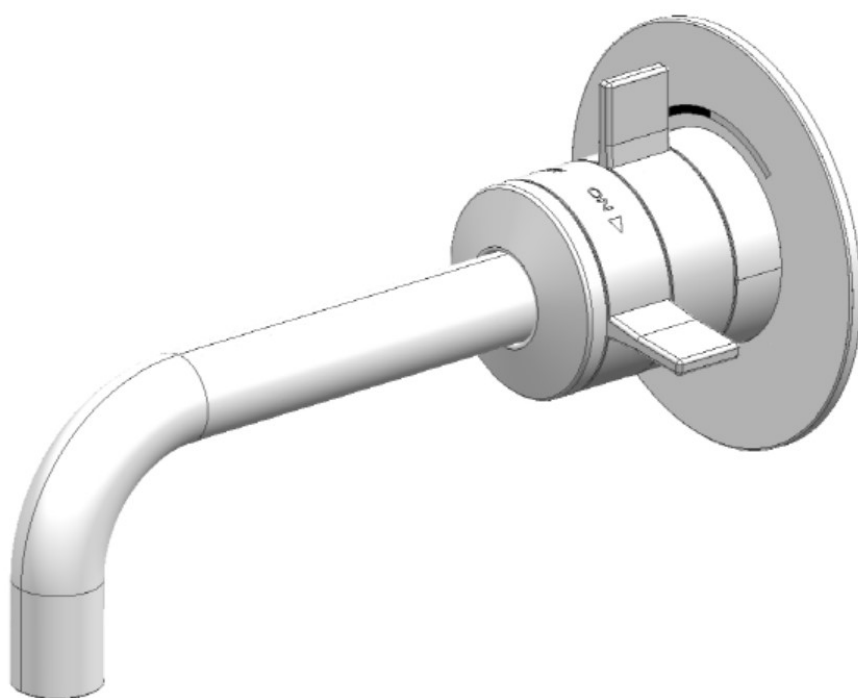
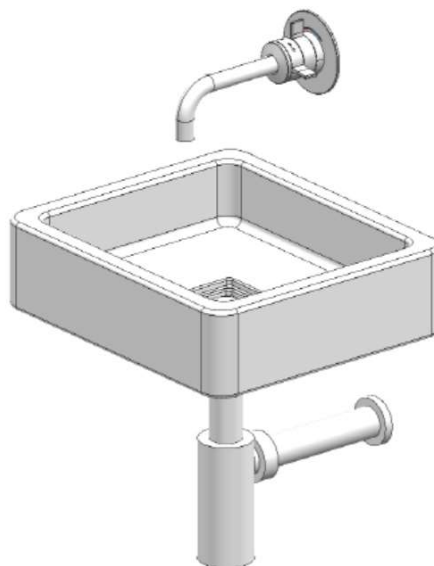


GENERAL SHOWER  
TECTONICS Series | GL301

TECTONICS

GL401

**Wall Mount Basin Faucet  
Concrete/Brick/Dry Wall  
Application**



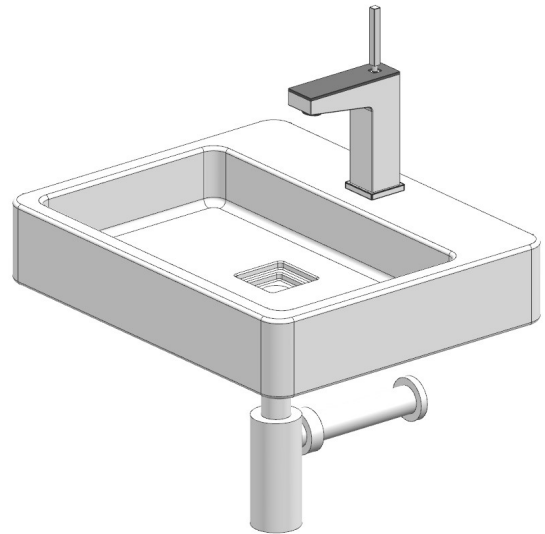
**GENERAL SHOWER  
TECTONICS Series | GL401**



TECTONICS

GL501

Deck Mount Basin Faucet



**GENERAL SHOWER  
TECTONICS Series | GL501**

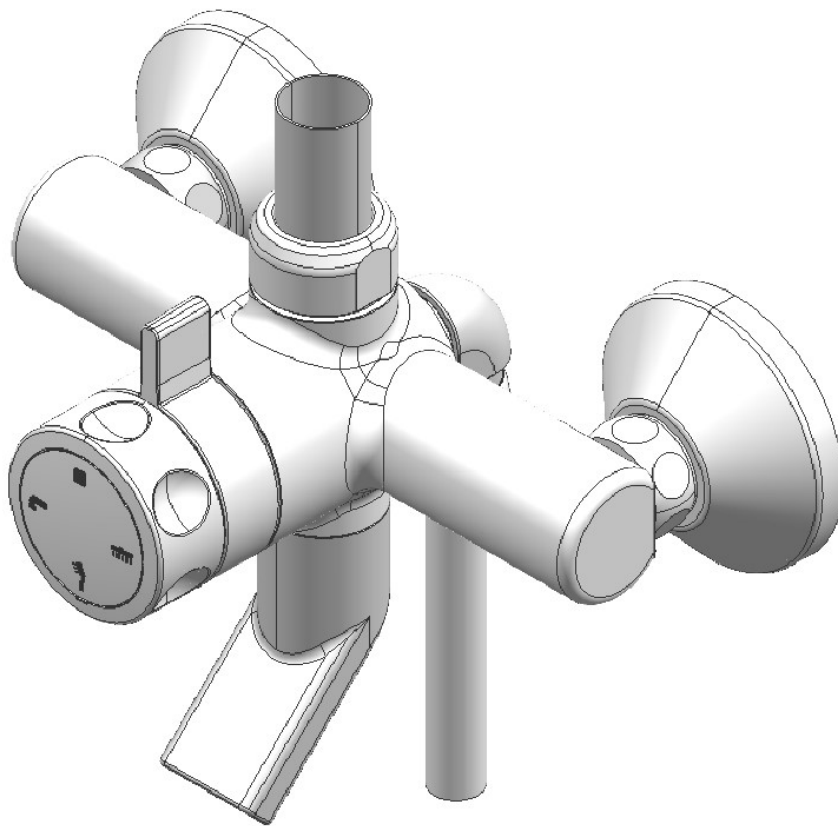
# NILE

Shower \_ Exposed

# NILE

## GB405

**Hand Shower  
Rain Shower  
Tub Spout**



**GENERAL SHOWER  
NILE Series I GB405**

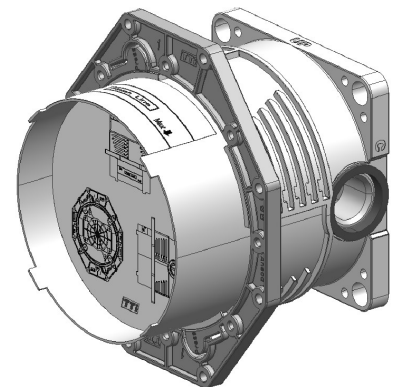
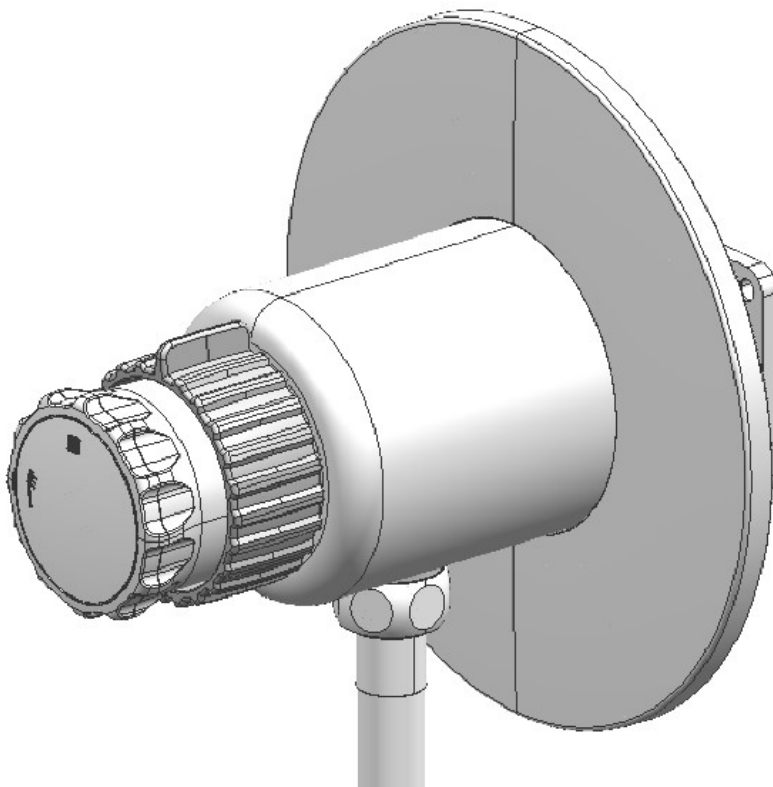
# VOLGA

Shower \_ Concealed

# VOLGA

## GC301

**Dry Wall Application  
Hand Shower**

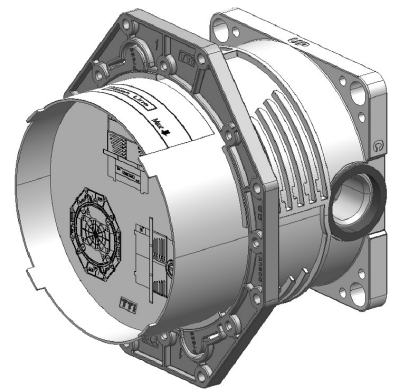
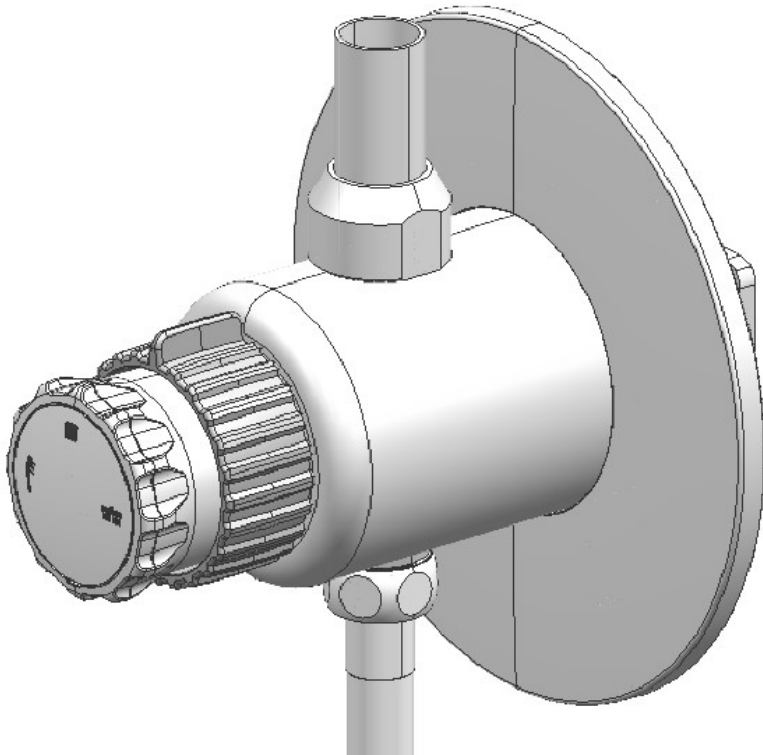


**GENERAL SHOWER  
VOLGA Series | GC301**

# VOLGA

## GC304

**Dry Wall Application  
Hand Shower  
Rain Shower**

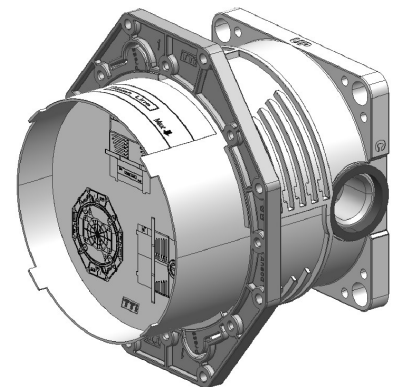
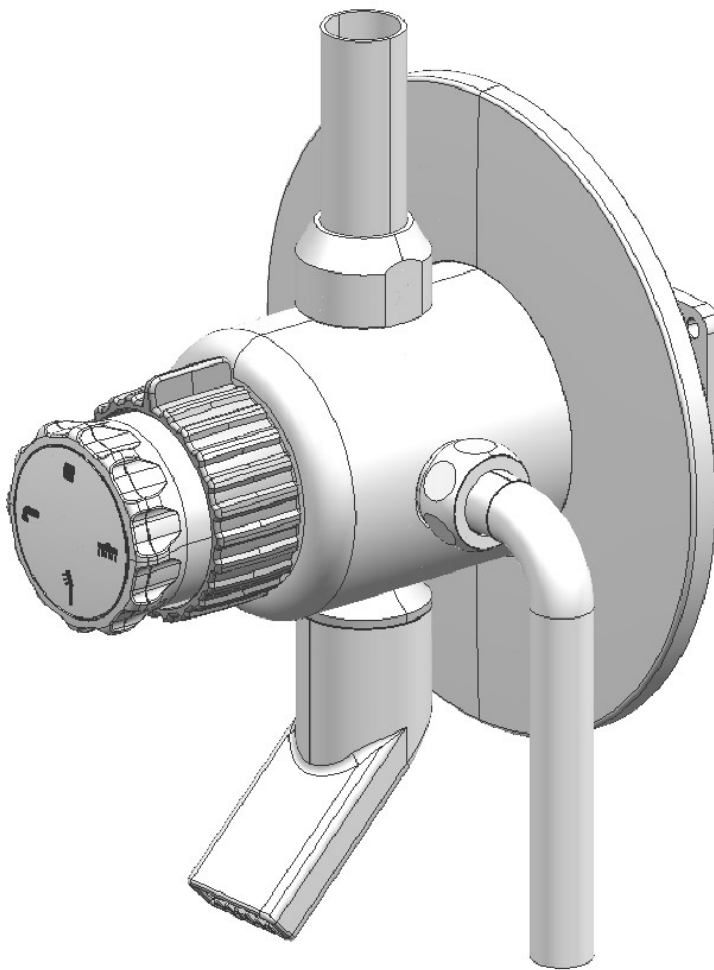


**GENERAL SHOWER  
VOLGA Series I GC304**

# VOLGA

## GC305

**Dry Wall Application  
Hand Shower  
Rain Shower  
Tub Spout**

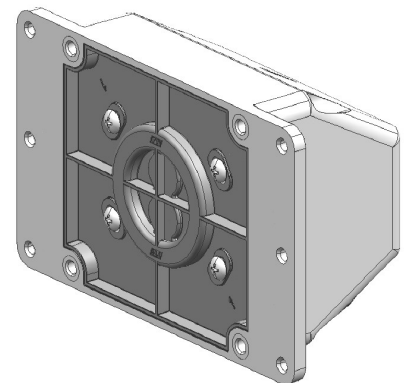
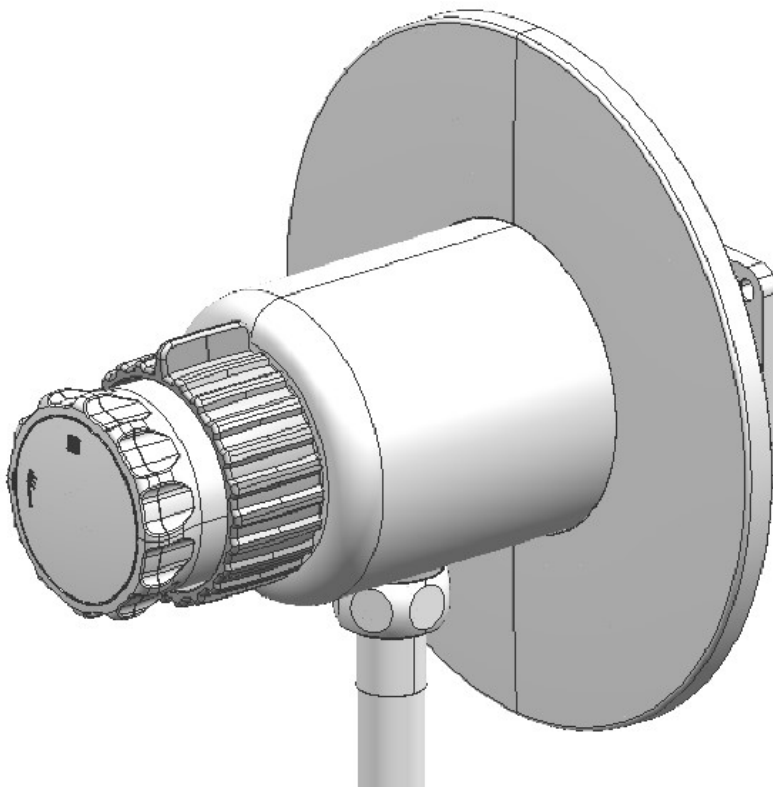


**GENERAL SHOWER  
VOLGA Series I GC305**

# VOLGA

## GC401

**Concrete/Brick/  
Dry Wall Application  
Hand Shower**



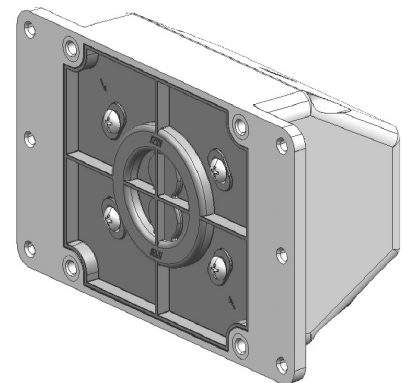
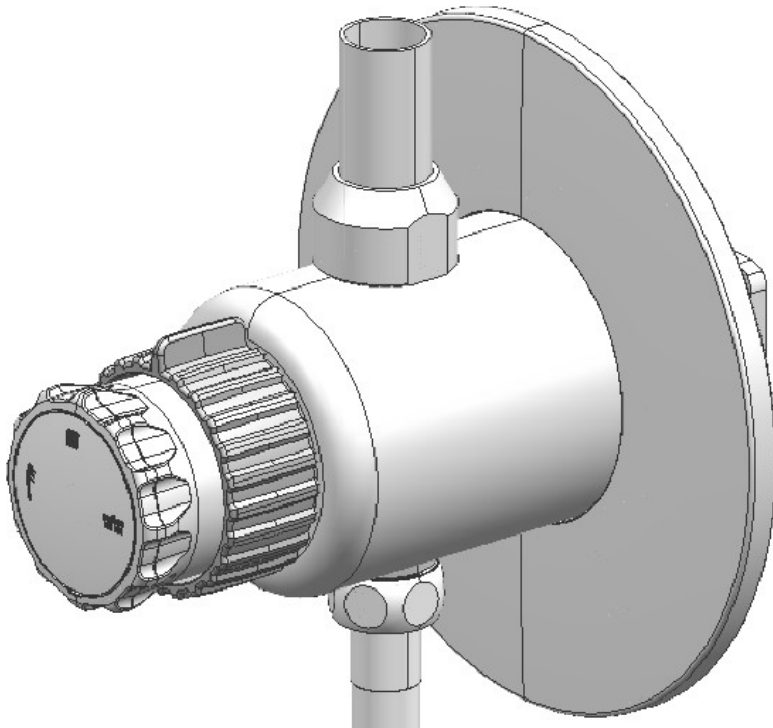
**GENERAL SHOWER  
VOLGA Series | GC401**



# VOLGA

## GC404

Concrete/Brick/  
Dry Wall Application  
Hand Shower  
Rain Shower

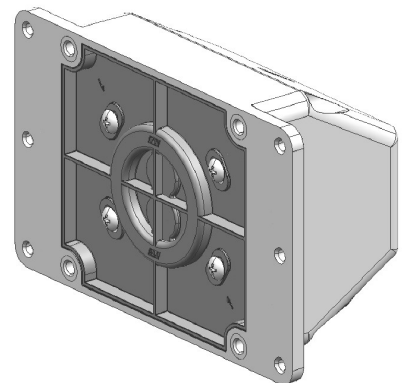
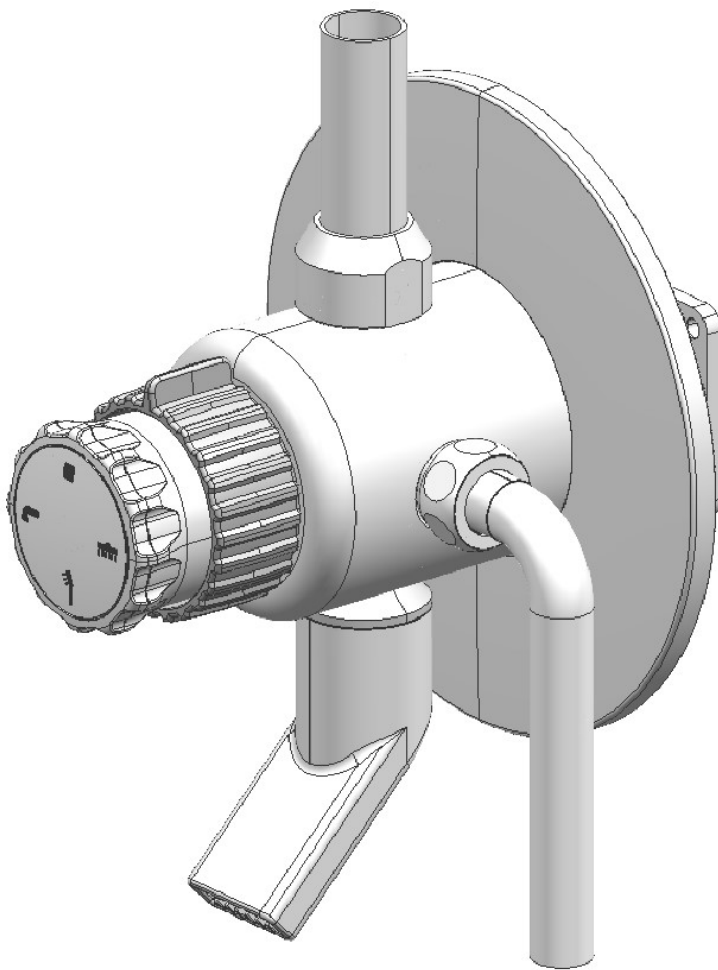


**GENERAL SHOWER  
VOLGA Series I GC404**

# VOLGA

## GC405

**Concrete/Brick/  
Dry Wall Application  
Hand Shower  
Rain Shower  
Tub Spout**



**GENERAL SHOWER  
VOLGA Series I GC405**

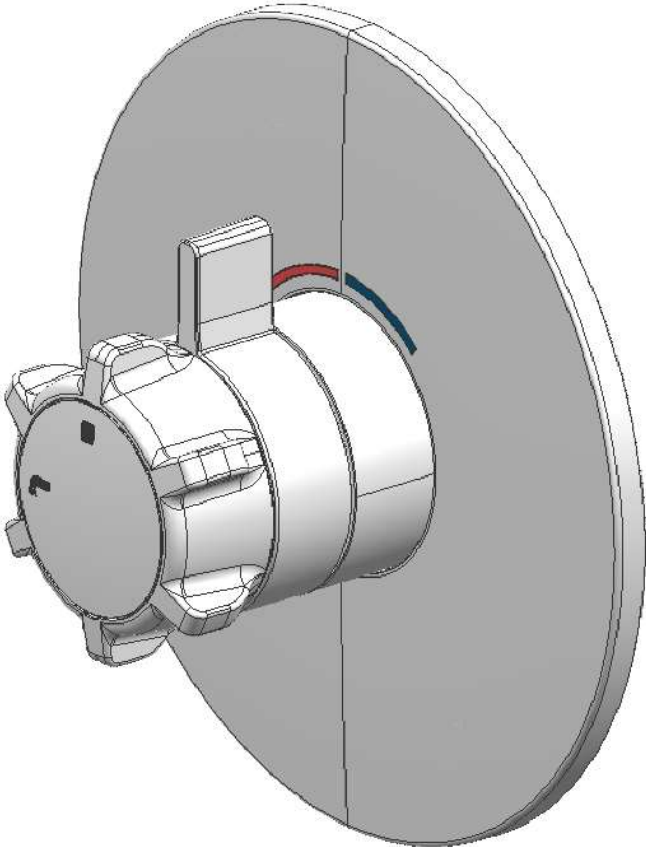
# MURRAY

Shower \_ Concealed

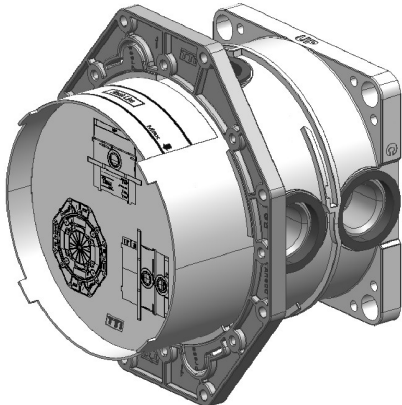
MURRAY

GC501

Dry Wall Application  
Hand Shower



Handle Set: A Type (Optional)

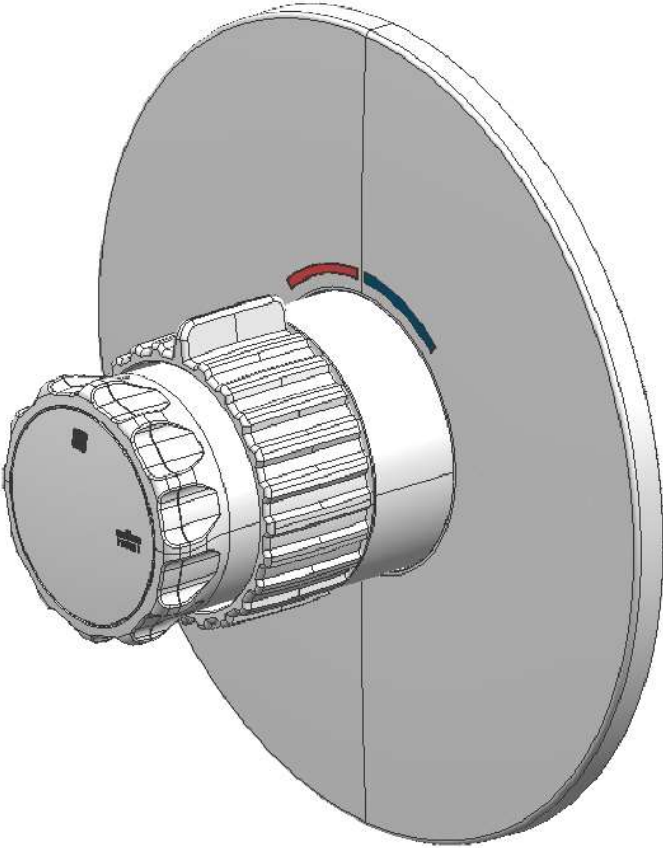


GENERAL SHOWER  
MURRAY Series I GC501

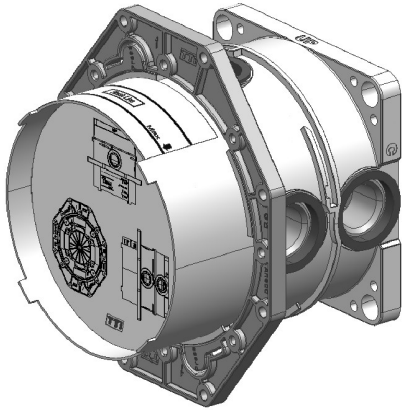
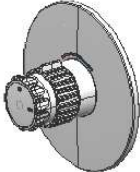
MURRAY

GC502

Dry Wall Application  
Rain Shower



Handle Set: B Type (Optional)

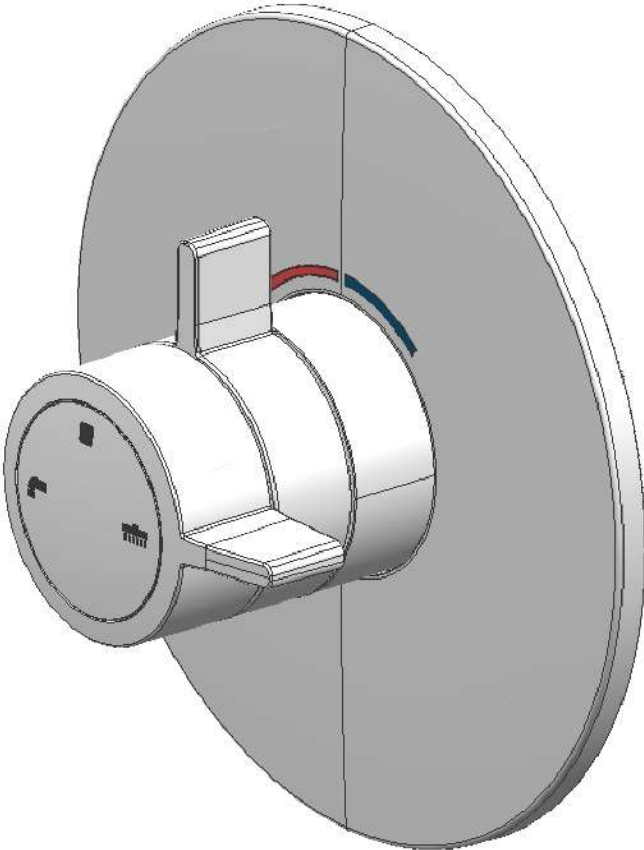


GENERAL SHOWER  
MURRAY Series I GC502

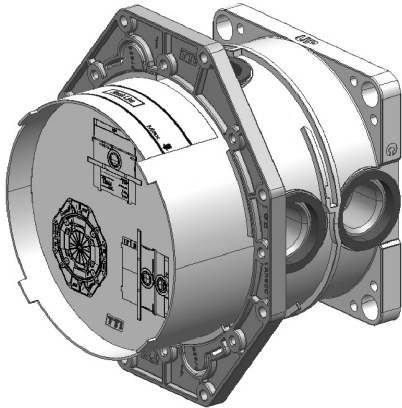
MURRAY

GC503

Dry Wall Application  
Hand Shower  
Tub Spout



Handle Set: C Type (Optional)

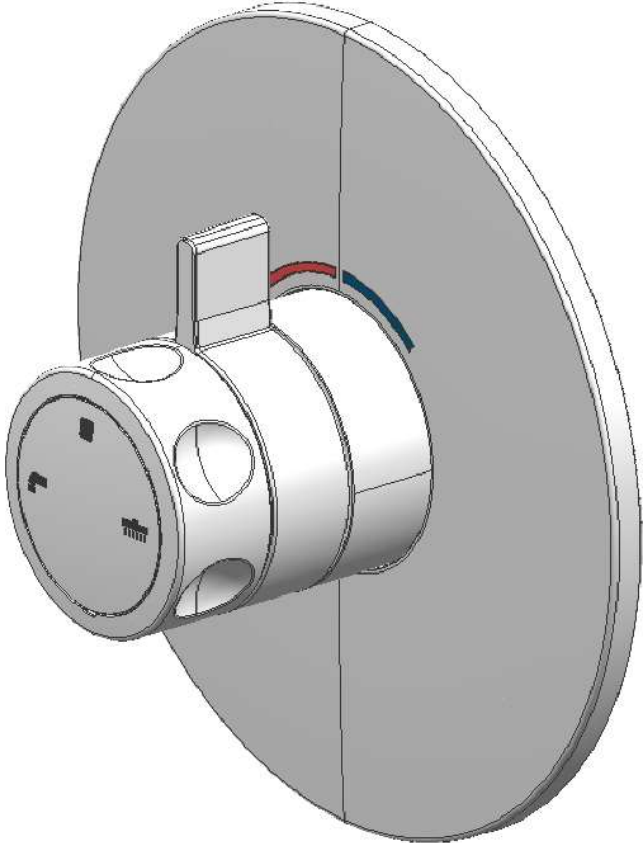


GENERAL SHOWER  
MURRAY Series I GC503

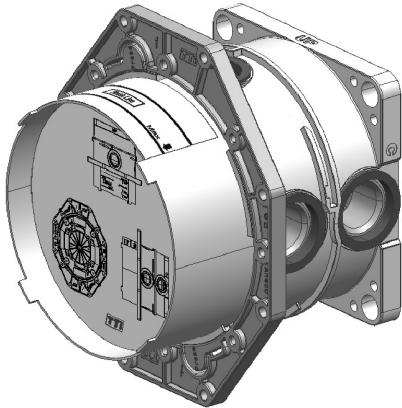
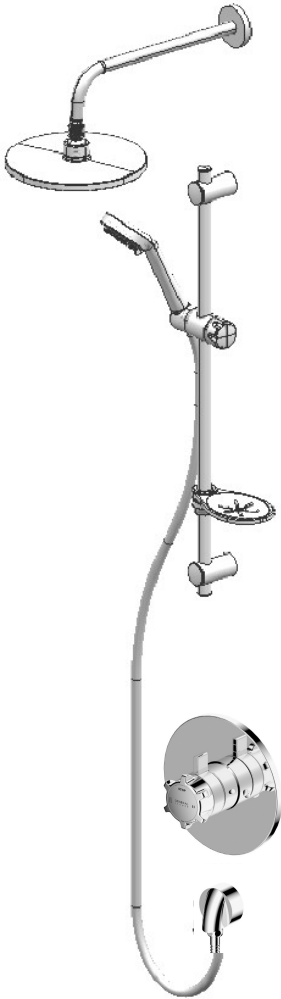
MURRAY

GC504

Dry Wall Application  
Hand Shower  
Rain Shower



Handle Set: D Type (Optional)

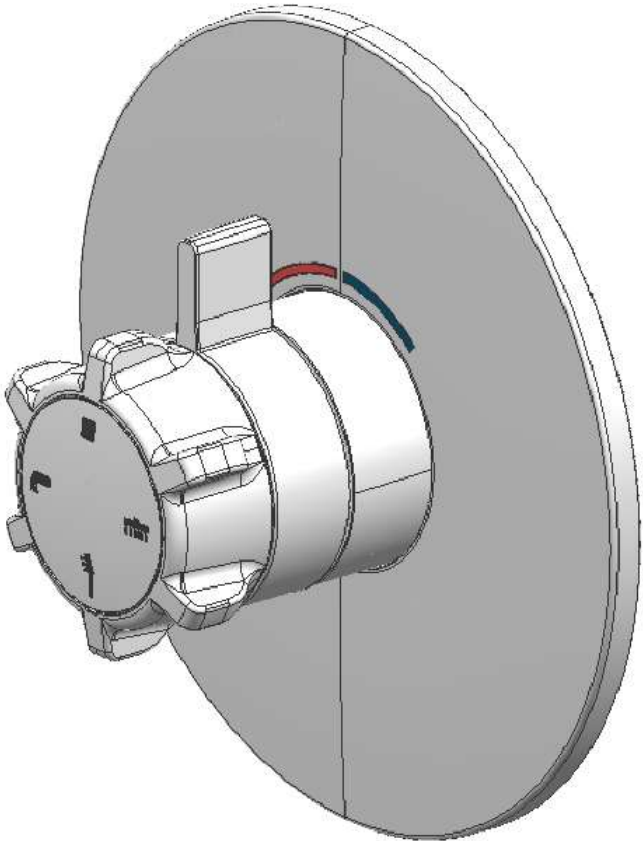


GENERAL SHOWER  
MURRAY Series I GC504

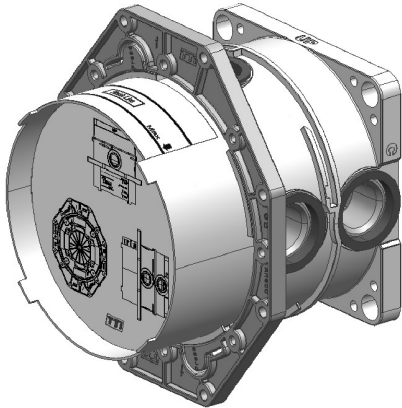
MURRAY

GC505

Dry Wall Application  
Hand Shower  
Rain Shower  
Tub Spout



Handle Set : A Type (Optional)



GENERAL SHOWER  
MURRAY Series I GC505



# INSTALLATION

**ELBE**

**TEVERE**

**TECTONICS**

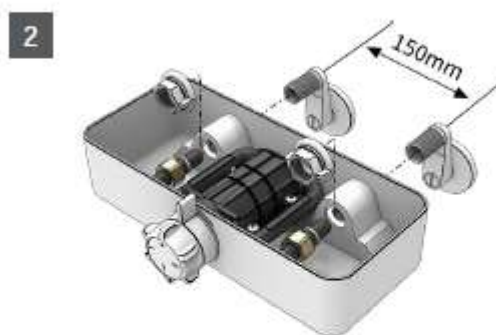
**NILE**

**VOLGA**

**MURRAY**

## 1. Wall Mounting (벽 설치)

### 1-1. GB101/103



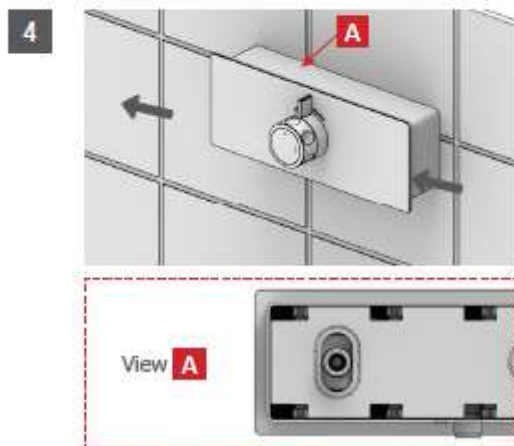
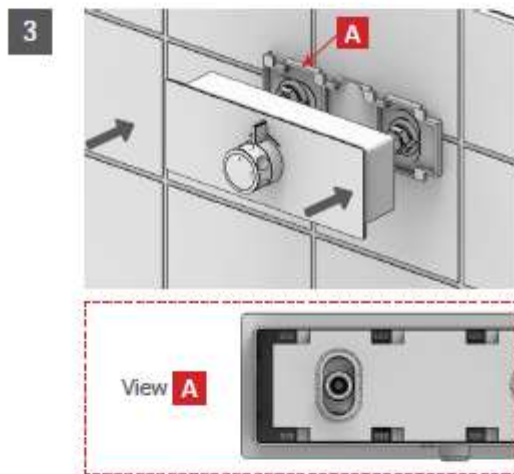
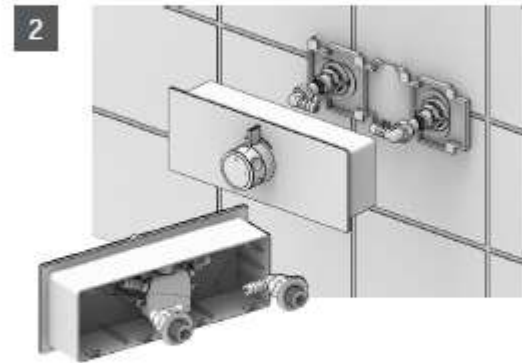
## 1. Wall Mounting (벽 설치)

1-2. GB102/104/105



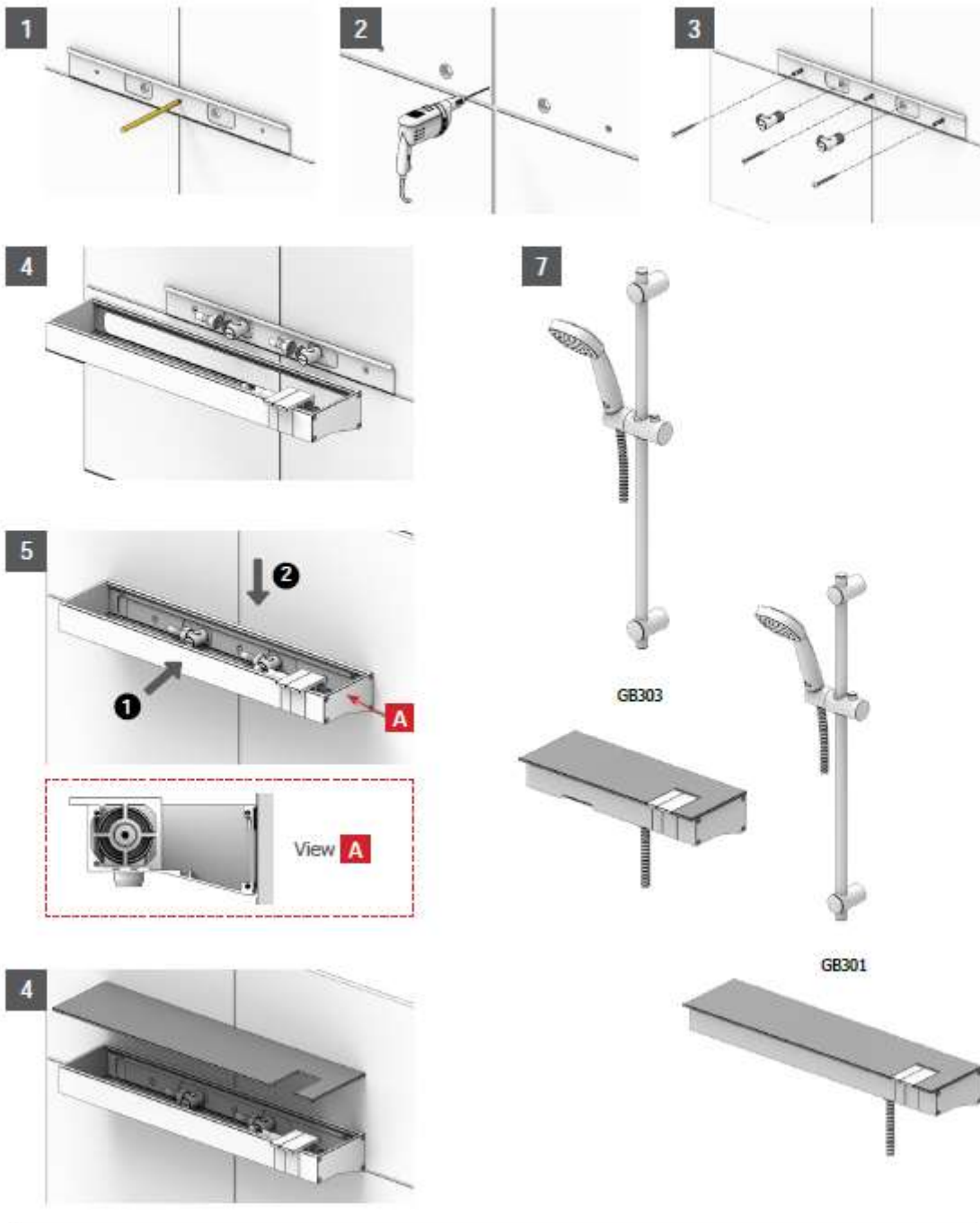
## 1. Wall Mounting (벽 설치)

GB200



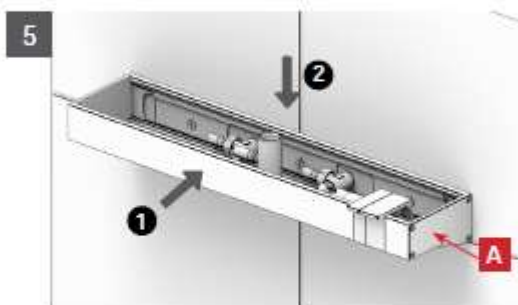
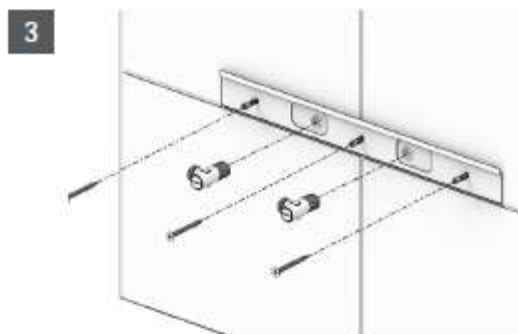
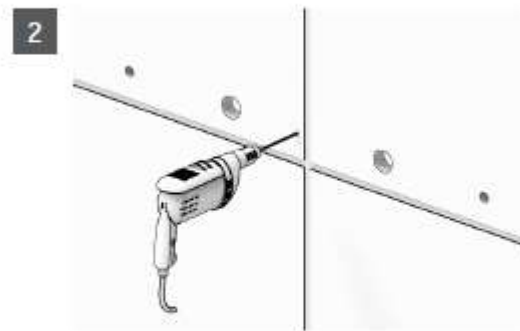
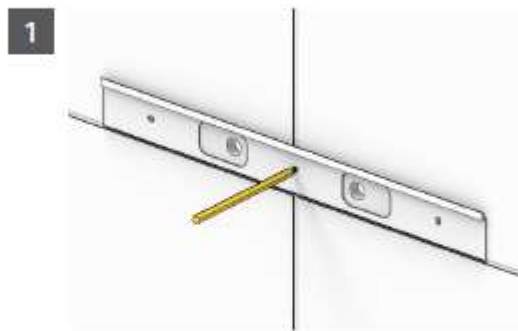
## 1. Wall Mounting (벽 설치)

### 1-1. GB301/303



## 1. Wall Mounting (벽 설치)

1-2. GB304



## 1. Wall Mounting (벽 설치)

1-2. GB304



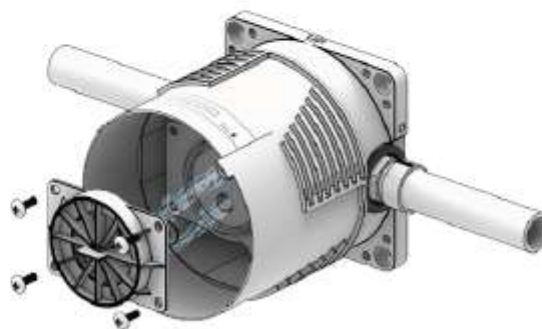
**1. Plumbing Line Connection (배관연결)  
Pressure Test & Flushing (수압시험/통수)**



2 Pressure Test (수압시험): Up to 1.0MPa



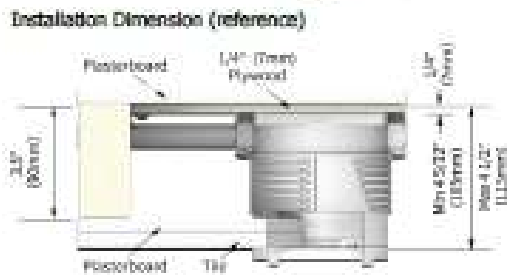
3 Plumbing line Flushing (배관 통수)



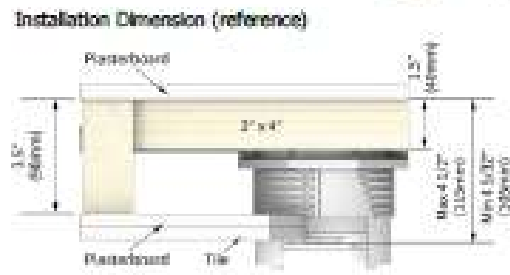
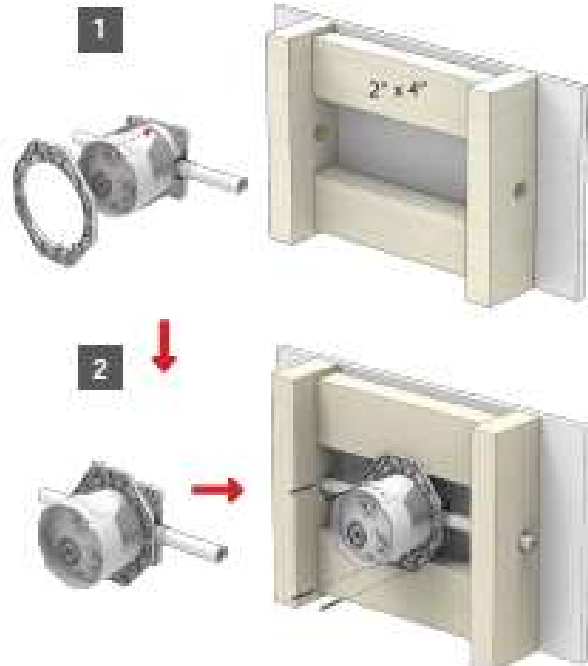


2. Wall Mounting (벽 설치)

2-1. Timber Wall



2-2. 2x4 Timber



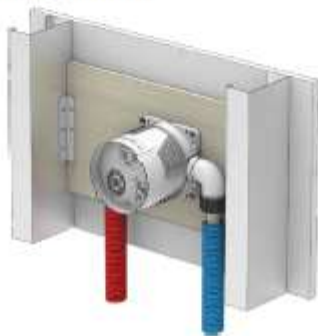
## 2. Wall Mounting (벽 설치)

### 2-3. CD & PB Pipe Connection (2중배관 설치)

1



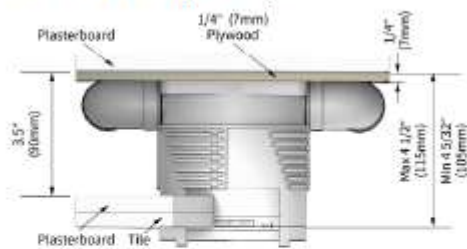
2 Steel Frame Wall



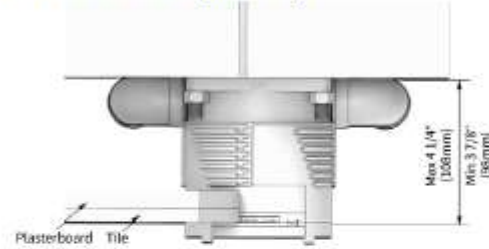
Brick Wall



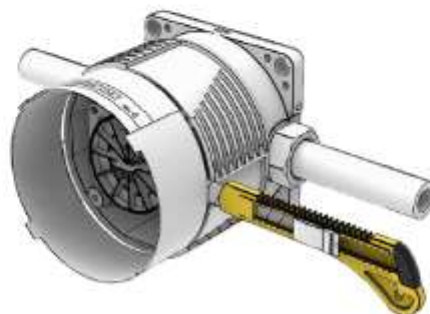
Installation Dimension (reference)



Installation Dimension (reference)

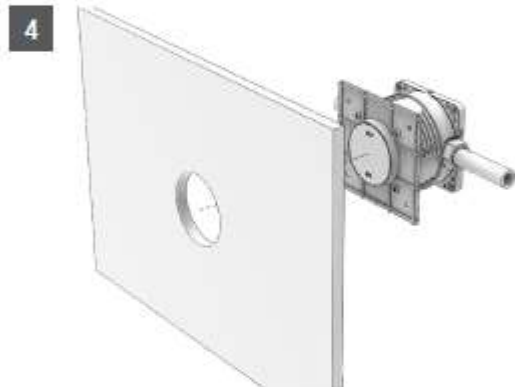
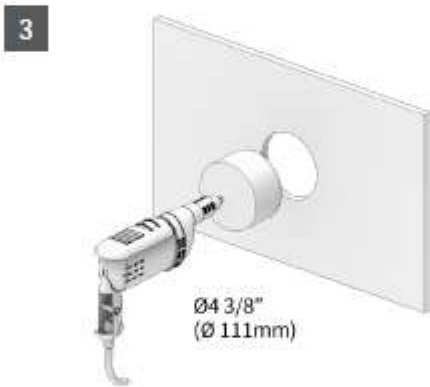
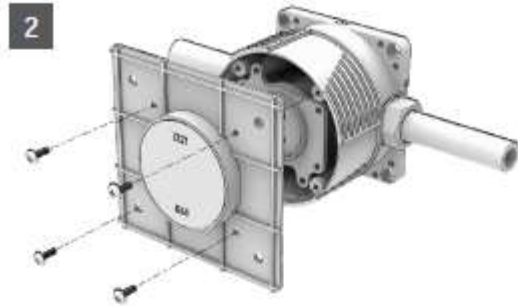


3



**3. Plasterboard & Tile Installation**

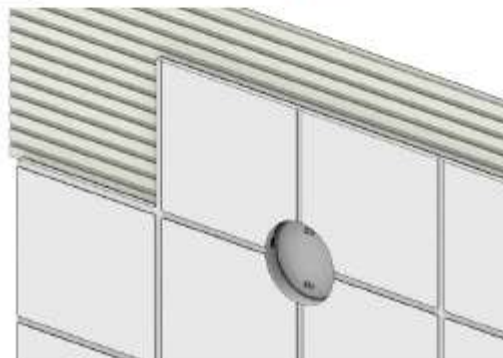
(석고보드 및 타일 설치)



**3 Tile Bond Application (타일본드 도포)**



**4 Tile Installation (타일설치)**



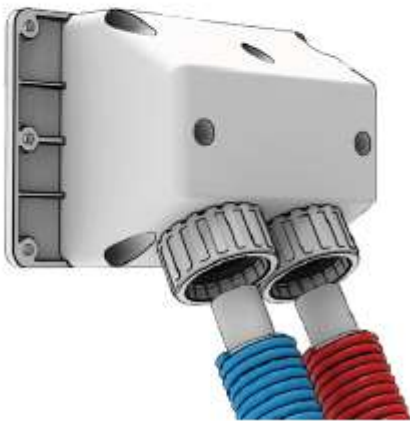
**4. Valve & Trim Installation GL301 (COLUMBIA)**

(외장부품 설치)

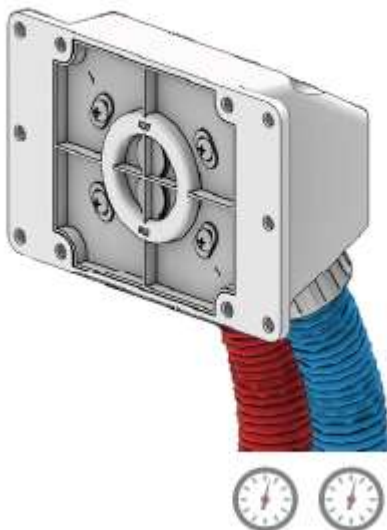


**1. Plumbing Line Connection (배관연결)  
Pressure Test & Flushing (수압시험/통수)**

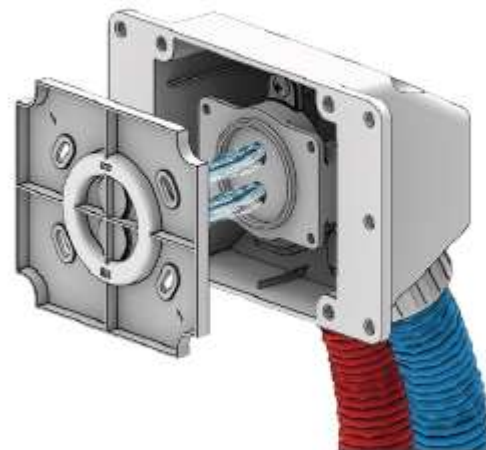
- 1 Plumbing Line & Connection:**  
CD (combined duct) & PB Pipe Connection (2중배관 : CD+PB 연결)



- 2 Pressure Test (수압시험):Up to 1.0MPa**



- 3 Plumbing line Flushing (배관 통수)**



**2. Wall Mounting (벽 설치) & Tile Installation (타일설치)**

2-1. Concrete Wall (콘크리트 벽)

**1** AI Form Drilling (알폼에 출가공)



**2** Mounting to AI Form (알폼에 설치)



**3** Concrete Curing (양생)



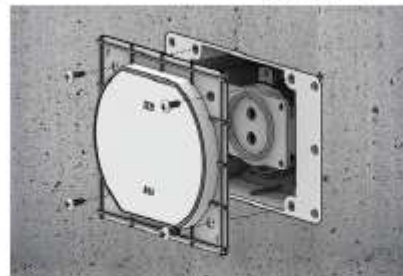
**4** AI Form Disassembly (해체)



**5** Test Cover Detachment (테스트 커버 탈거)



**6** Tile Guide Attachment (타일 가이드 부착)



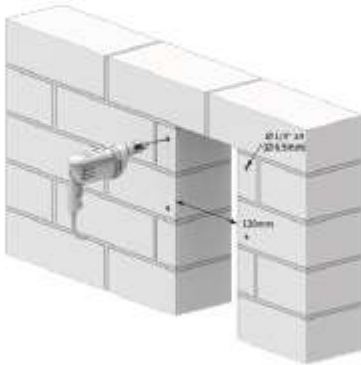
**5** Tile Installation (타일 설치)



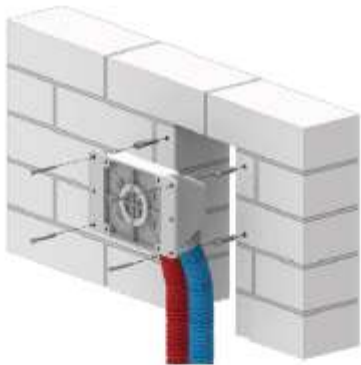
**2. Wall Mounting (벽 설치) & Tile Installation (타일설치)**

**2-2. Brick Wall (조적벽)**

**1 Brick Wall Building (조적벽 설치)**



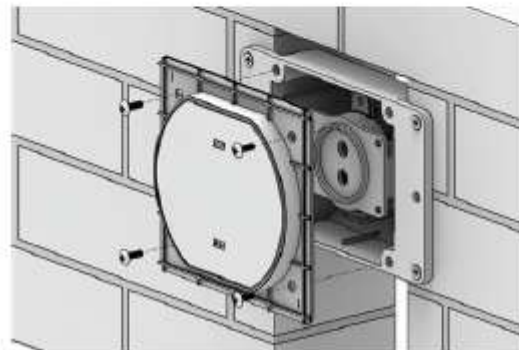
**2 Mounting to Brick (벽돌에 장착)**



**3 Test Cover Detachment (테스트 커버 탈거)**

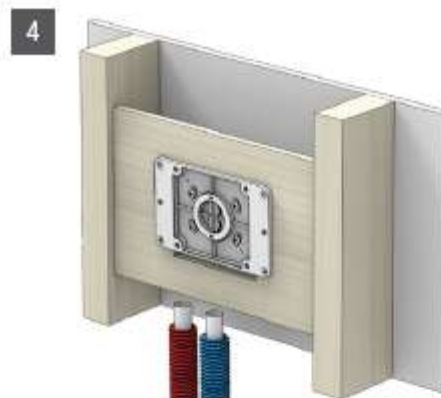
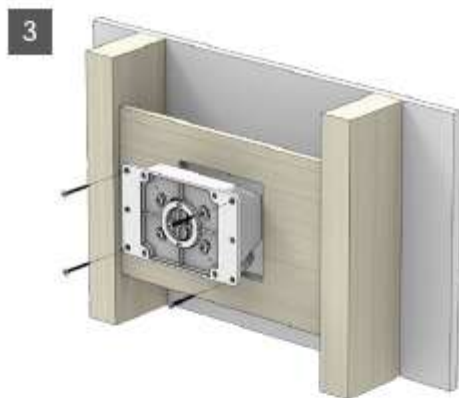
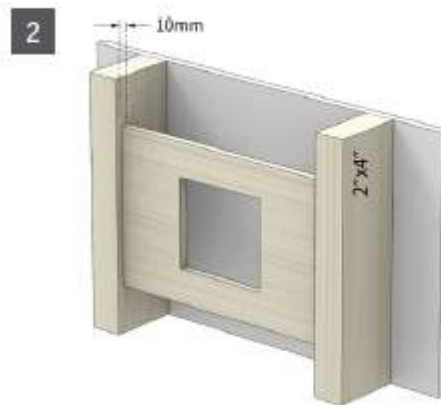
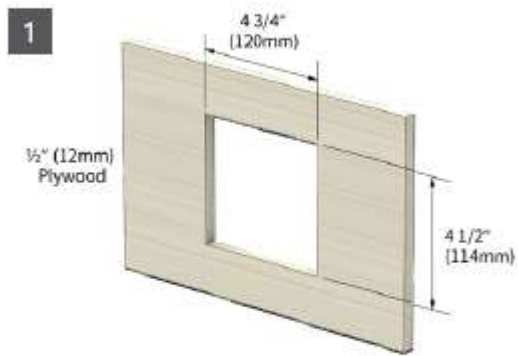


**4 Tile Guide Attachment (타일 가이드 부착)**



**2. Wall Mounting (벽 설치) & Tile Installation (타일설치)**

2-3. Dry Wall



**5** Test Cover Detachment (테스트 커버 탈거)



**6** Tile Guide Attachment (타일 가이드 부착)

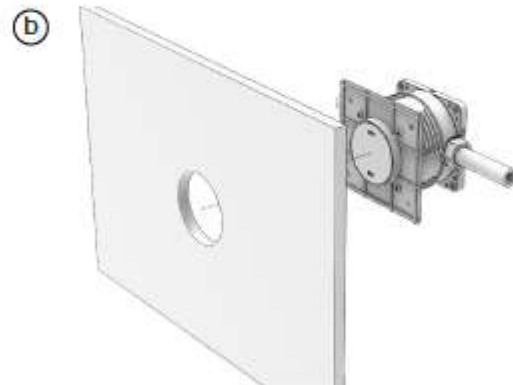
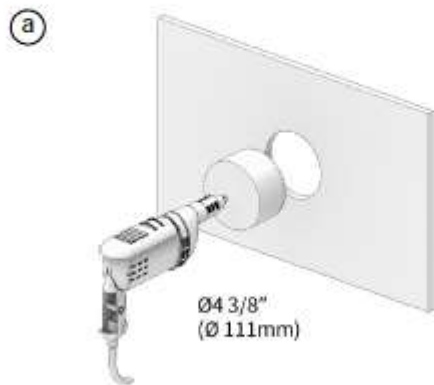




**2. Wall Mounting (벽 설치)**

2-3. Dry Wall

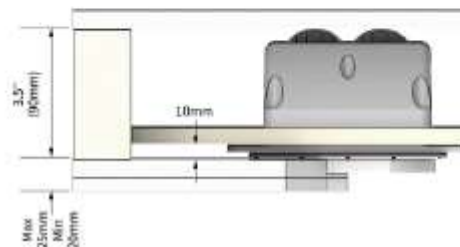
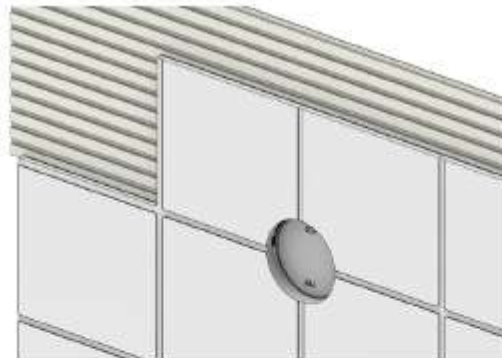
**7 Dry Wall & Tiling (석고 보드 및 타일 설치)**



(a) Tile Bond Application (타일본드 도포)



(b) Tile Installation (타일설치)

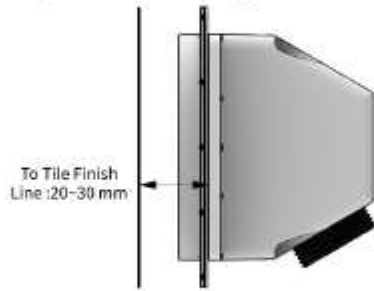


## 3. Tiling & Trim Installation

(타일 및 외장부품 설치)

### GL401 (COLUMBIA)

Tiling for Concrete, Brick Wall  
(콘크리트, 조적벽 타일 설치)



## 1. Wall Mounting (벽 설치)

GB400



## 1. Plumbing Line Connection (배관연결) Pressure Test & Flushing (수압시험/통수)

---



2 Pressure Test (수압시험): Up to 1.0MPa



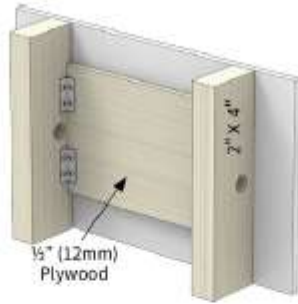
3 Plumbing line Flushing (배관 통수)



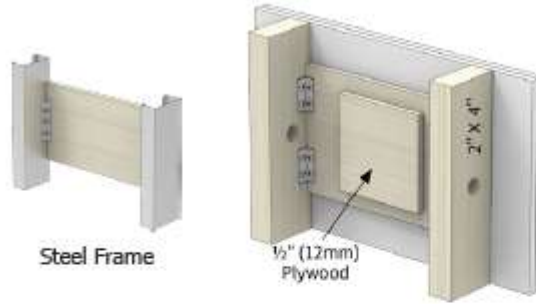
## 2. Wall Mounting (벽 설치)

### 2-1. Timber Wall

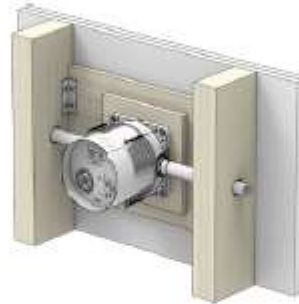
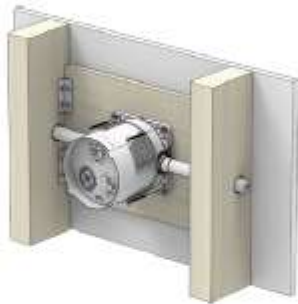
#### 1 Regular Wall



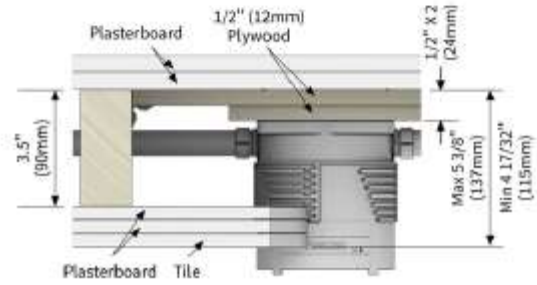
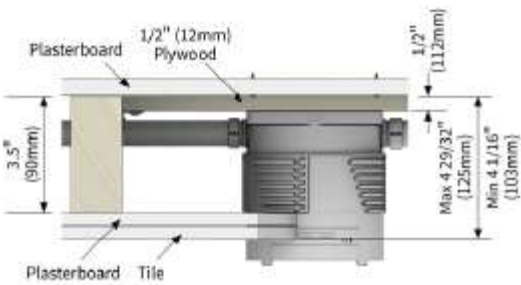
#### Thick Wall



#### 2

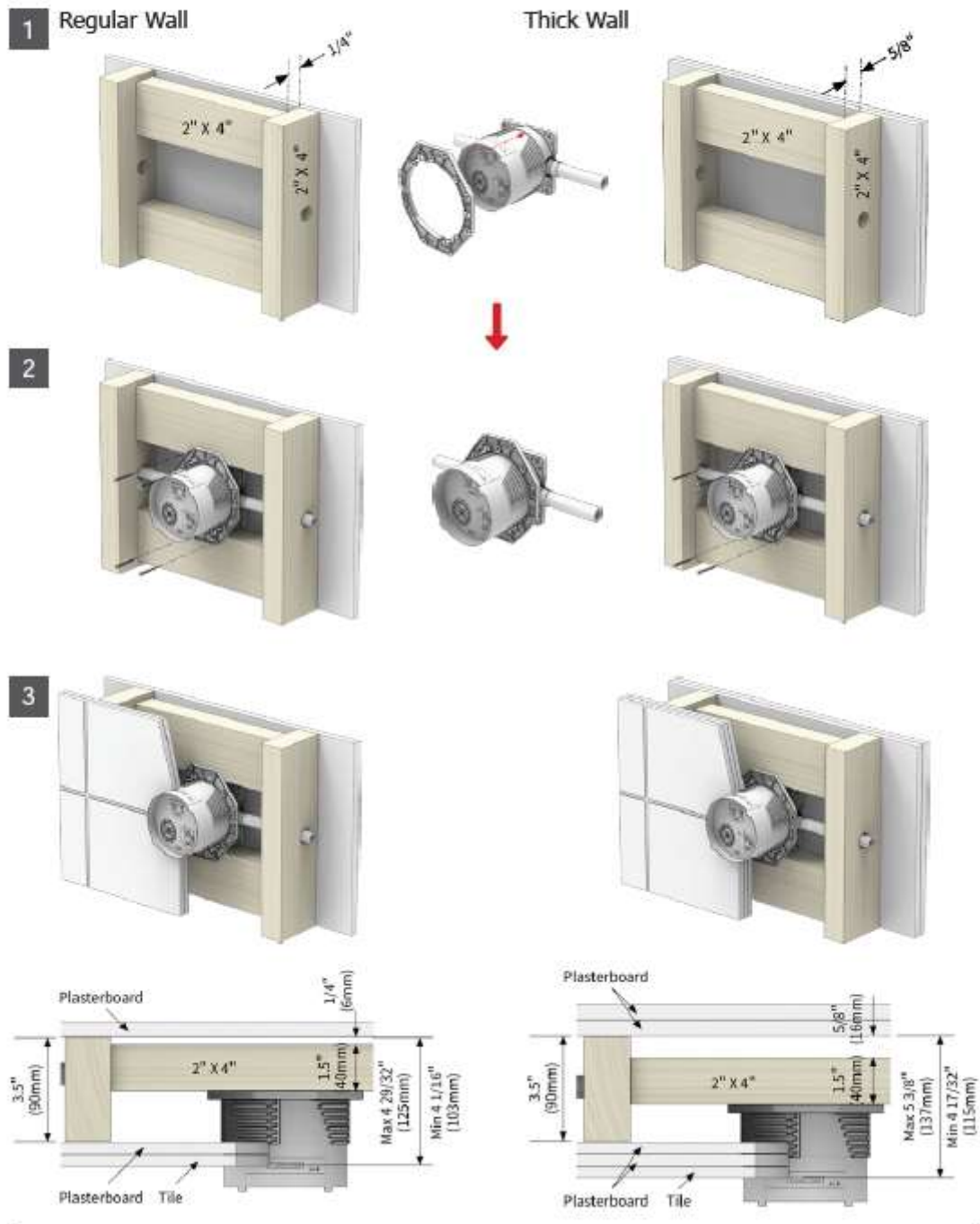


#### 3



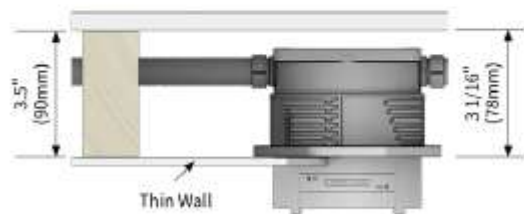
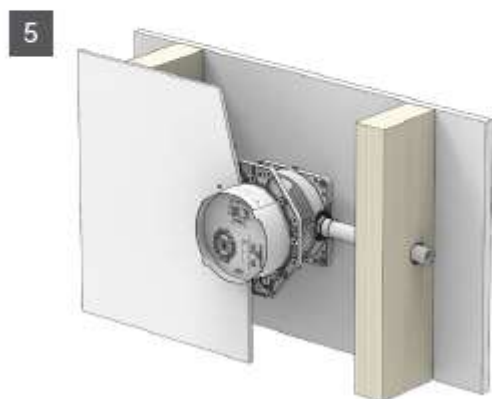
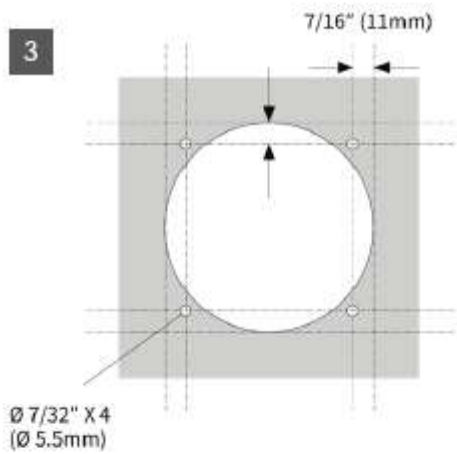
## 2. Wall Mounting (벽 설치)

### 2-2. 2x4 Timber



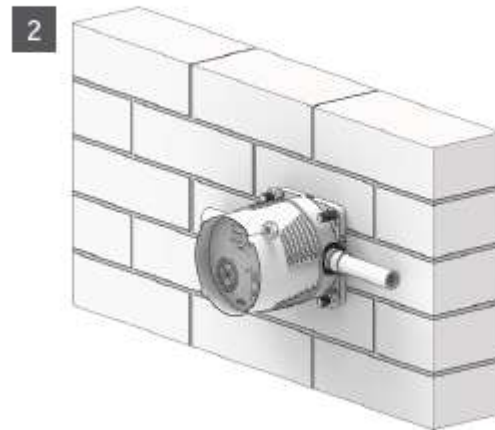
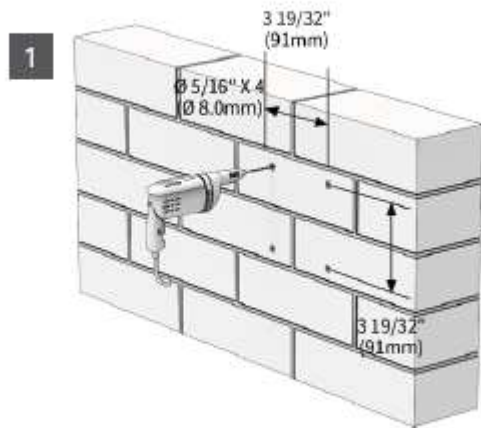
## 2. Wall Mounting (벽 설치)

### 2-3. Thin Wall

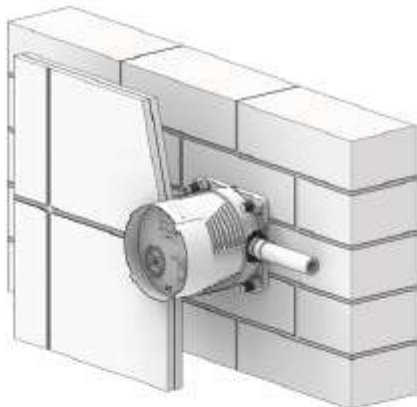


**2. Wall Mounting (벽 설치)**

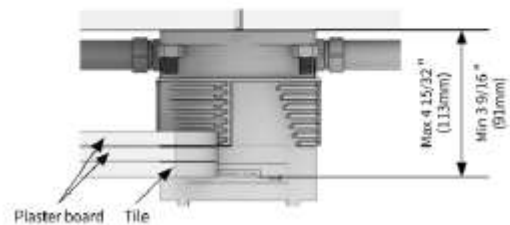
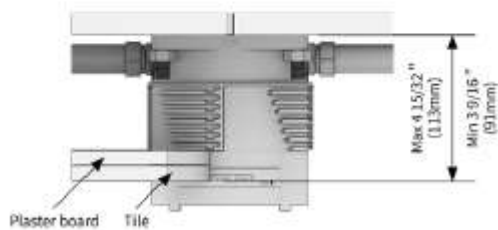
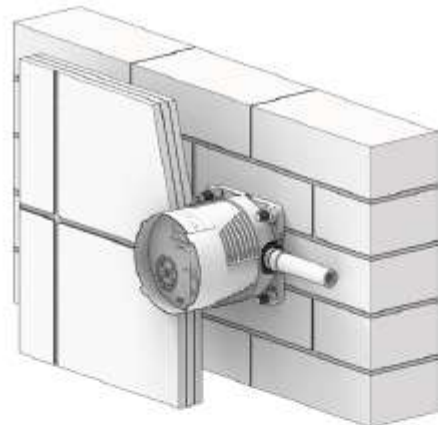
2-4. Brick Wall



**3 Regular Wall**



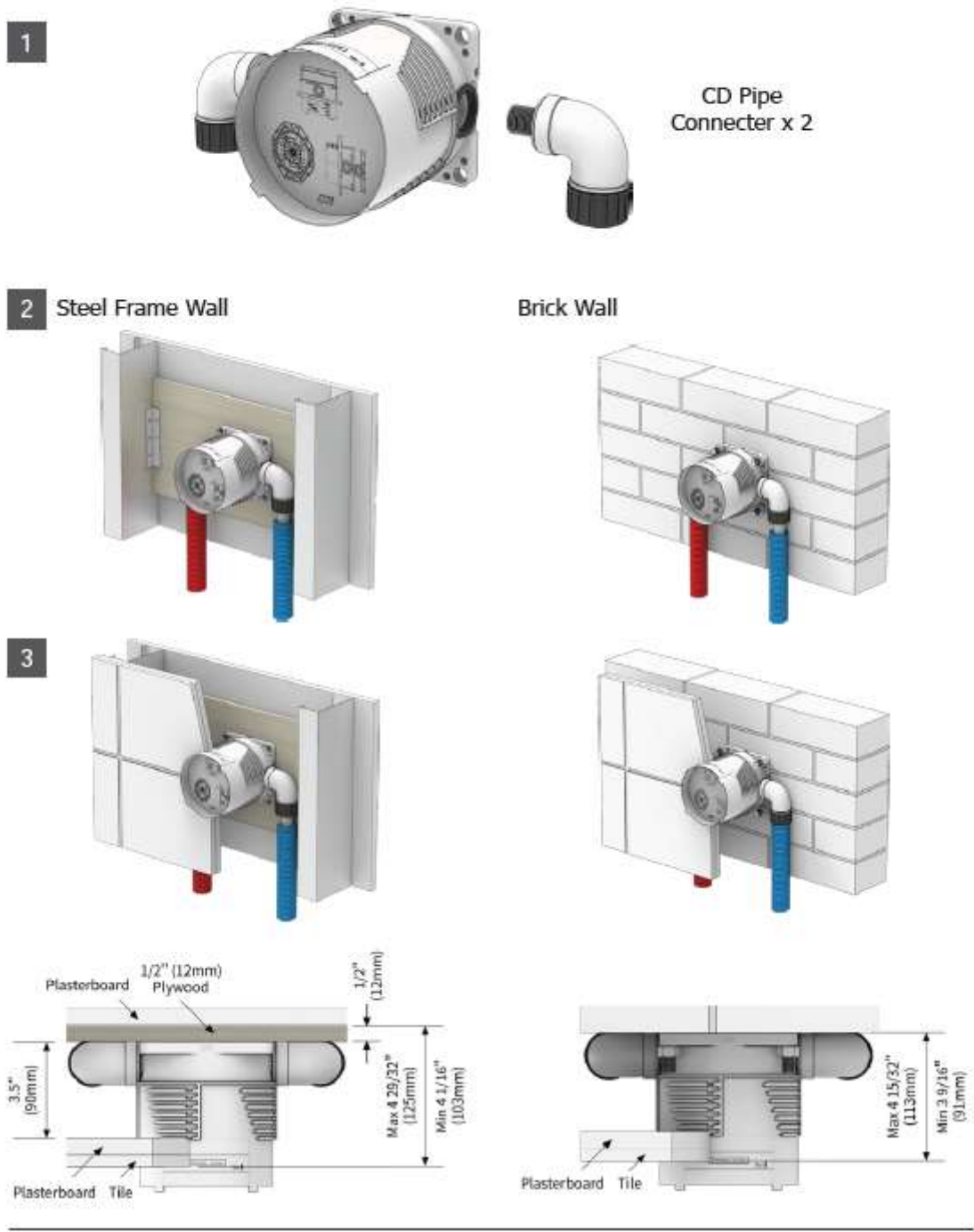
**Thick Wall**





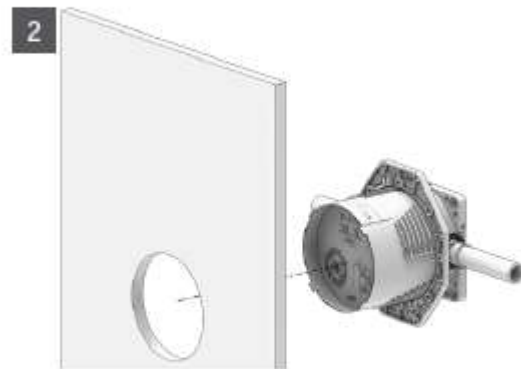
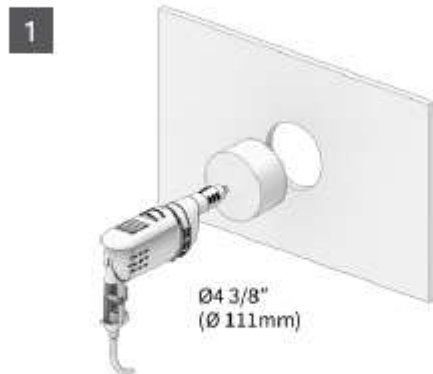
## 2. Wall Mounting (벽 설치)

### 2-5. CD & PB Pipe Connection (2중배관 설치)

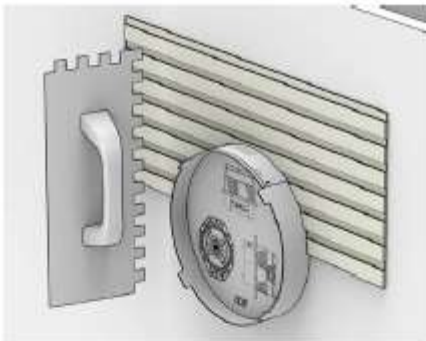


### 3. Plasterboard & Tile Installation

(석고보드 및 타일 설치)



3 Tile Bond Application for Gasket  
(가스켓자리 본드도포)



4 Gasket Installation (가스켓장착)



5 Tile Bond Application (타일본드 도포)

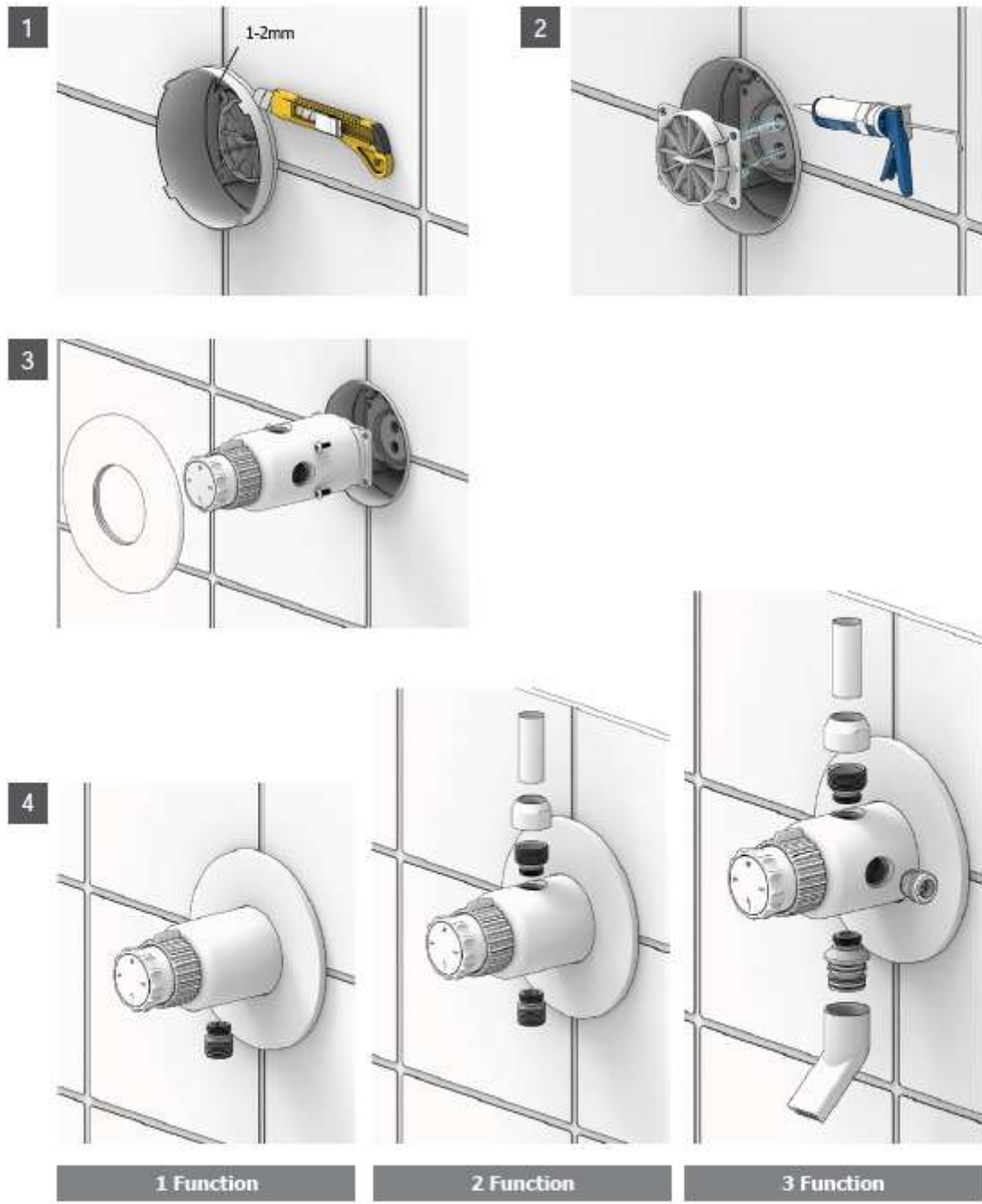


6 Tile Installation (타일설치)



**4. Valve & Trim Installation**

(외장부품 설치)



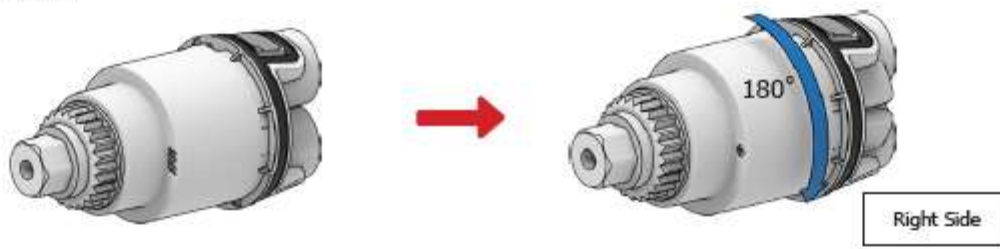
**5. Back to Back**

(냉,온수 공급방향 반대시공)

**1 Disassembly**



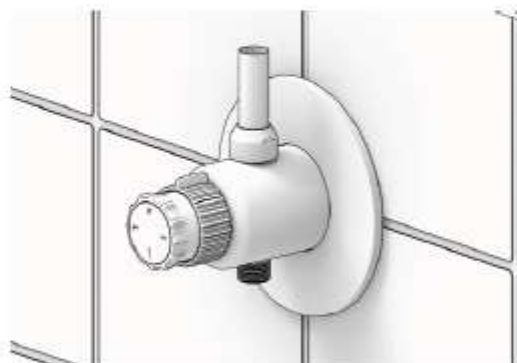
**2 Rotation**



Back-to-Back Installation: To rotate 180°

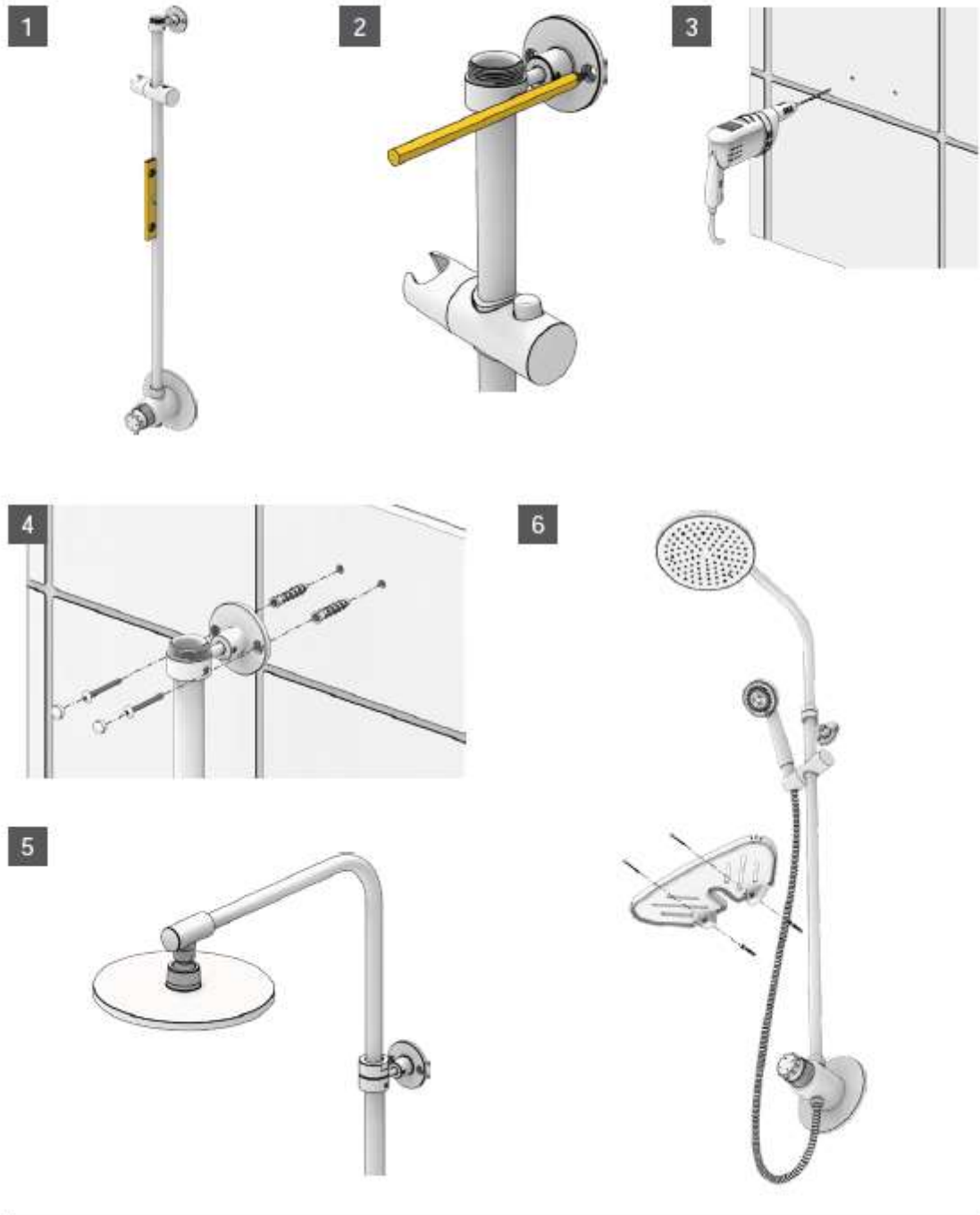
Standard Installation: Plant Setting

**3 Reassembly**



6. Shower Kit Installation

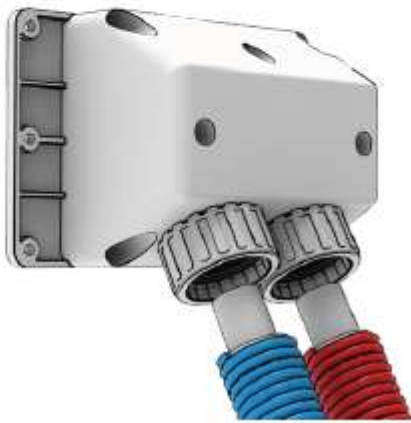
샤워 부품 설치



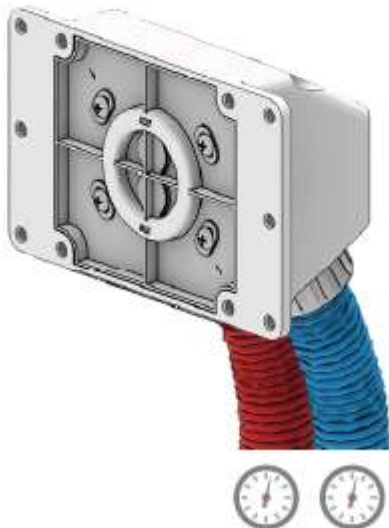
## 1. Plumbing Line Connection (배관연결) Pressure Test & Flushing (수압시험/통수)

---

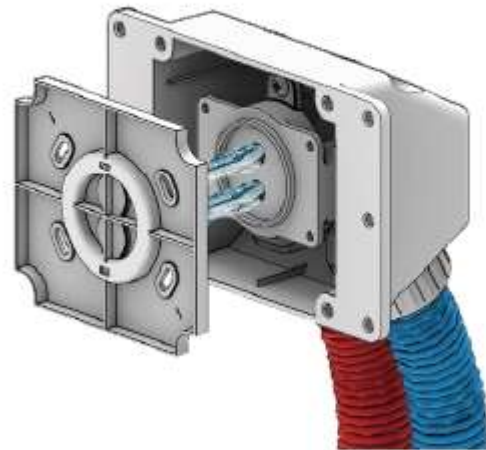
- 1 Plumbing Line & Connection:**  
CD (combined duct) & PB Pipe Connection (2중배관 : CD+PB 연결)



- 2 Pressure Test (수압시험): Up to 1.0MPa**



- 3 Plumbing line Flushing (배관 통수)**



**2. Wall Mounting (벽 설치) & Tile Installation (타일설치)**

**2-1. Concrete Wall (콘크리트 벽)**

**1** AI Form Drilling (알폼에 출가공)



**2** Mounting to AI Form (알폼에 설치)



**3** Concrete Curing (양생)



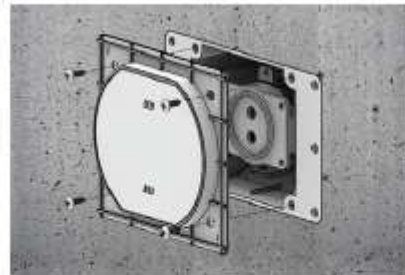
**4** AI Form Disassembly (해체)



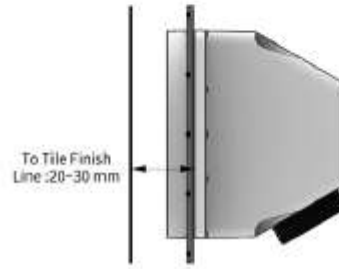
**5** Test Cover Detachment (테스트 커버 탈거)



**6** Tile Guide Attachment (타일 가이드 부착)



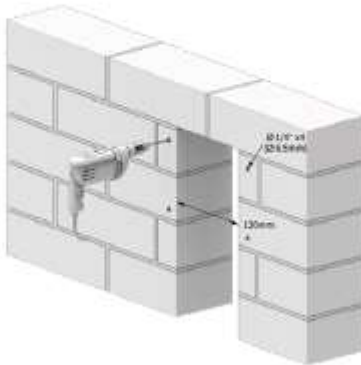
**5** Tile Installation (타일 설치)



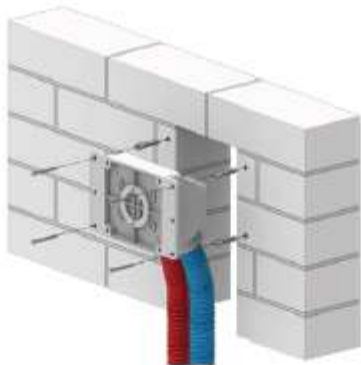
## 2. Wall Mounting (벽 설치) & Tile Installation (타일설치)

### 2-2. Brick Wall (조적벽)

#### 1 Brick Wall Building (조적벽 설치)



#### 2 Mounting to Brick (벽돌에 장착)



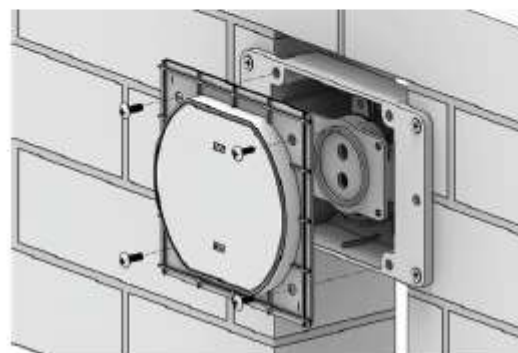
#### Brick Support Application (조적벽 서포트 사용시)



#### 3 Test Cover Detachment (테스트 커버 탈거)



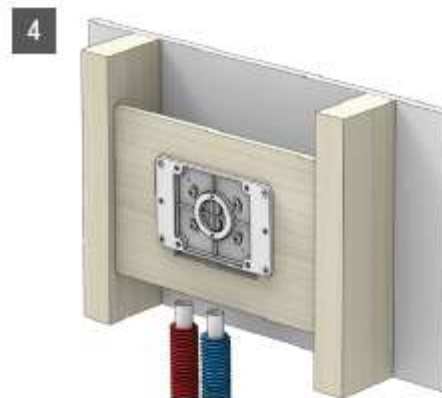
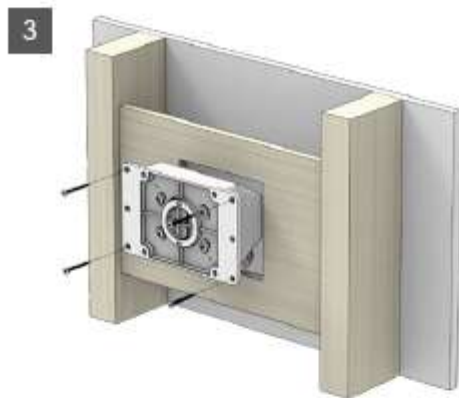
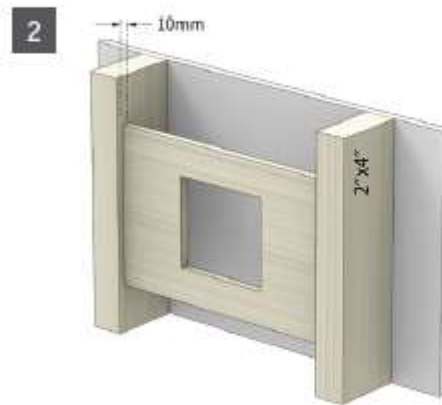
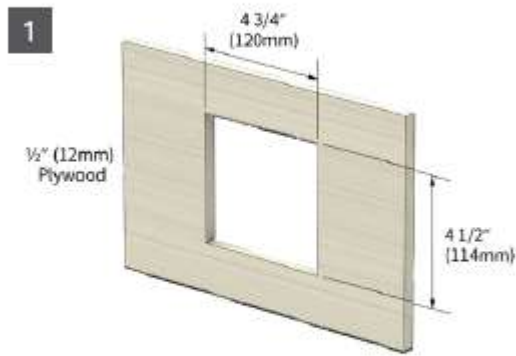
#### 4 Tile Guide Attachment (타일 가이드 부착)





**2. Wall Mounting (벽 설치) & Tile Installation (타일설치)**

2-3. Dry Wall



5 Test Cover Detachment (테스트 커버 탈거)



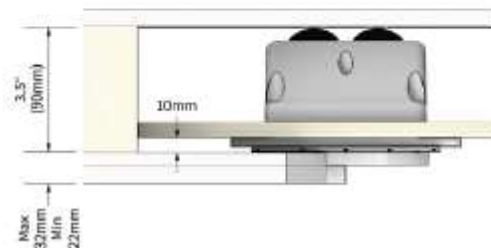
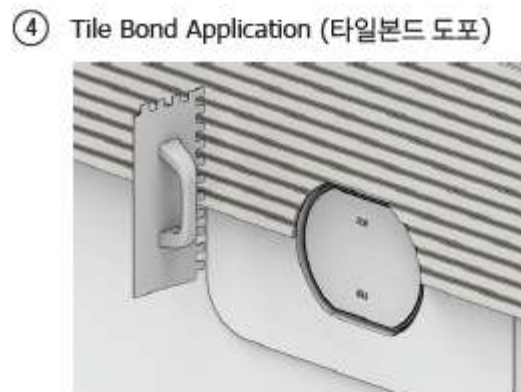
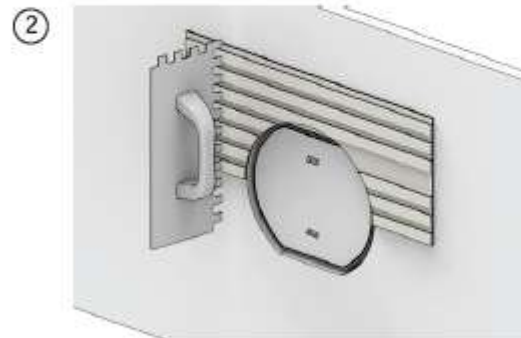
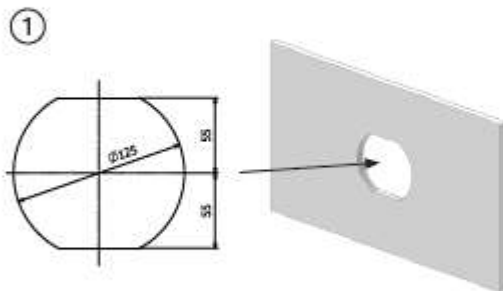
6 Tile Guide Attachment (타일 가이드 부착)



**2. Wall Mounting (벽 설치) & Tile Installation (타일설치)**

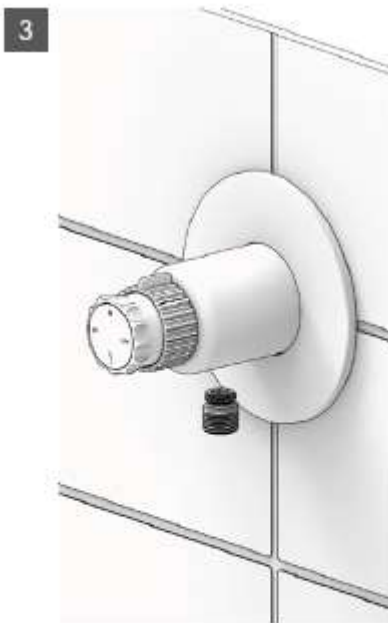
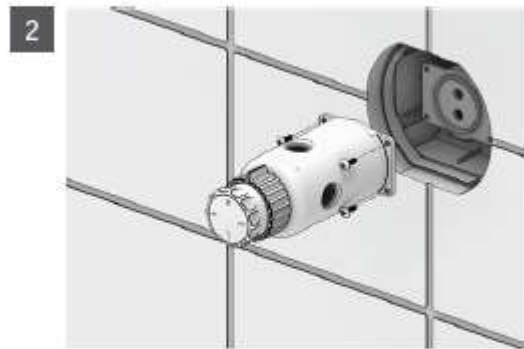
2-3. Dry Wall (건식벽)

**7 Plasterboard & Tile Installation (석고보드 및 타일설치)**



**3. Valve & Trim Installation**

(외장부품 설치)



1 Function



2 Function



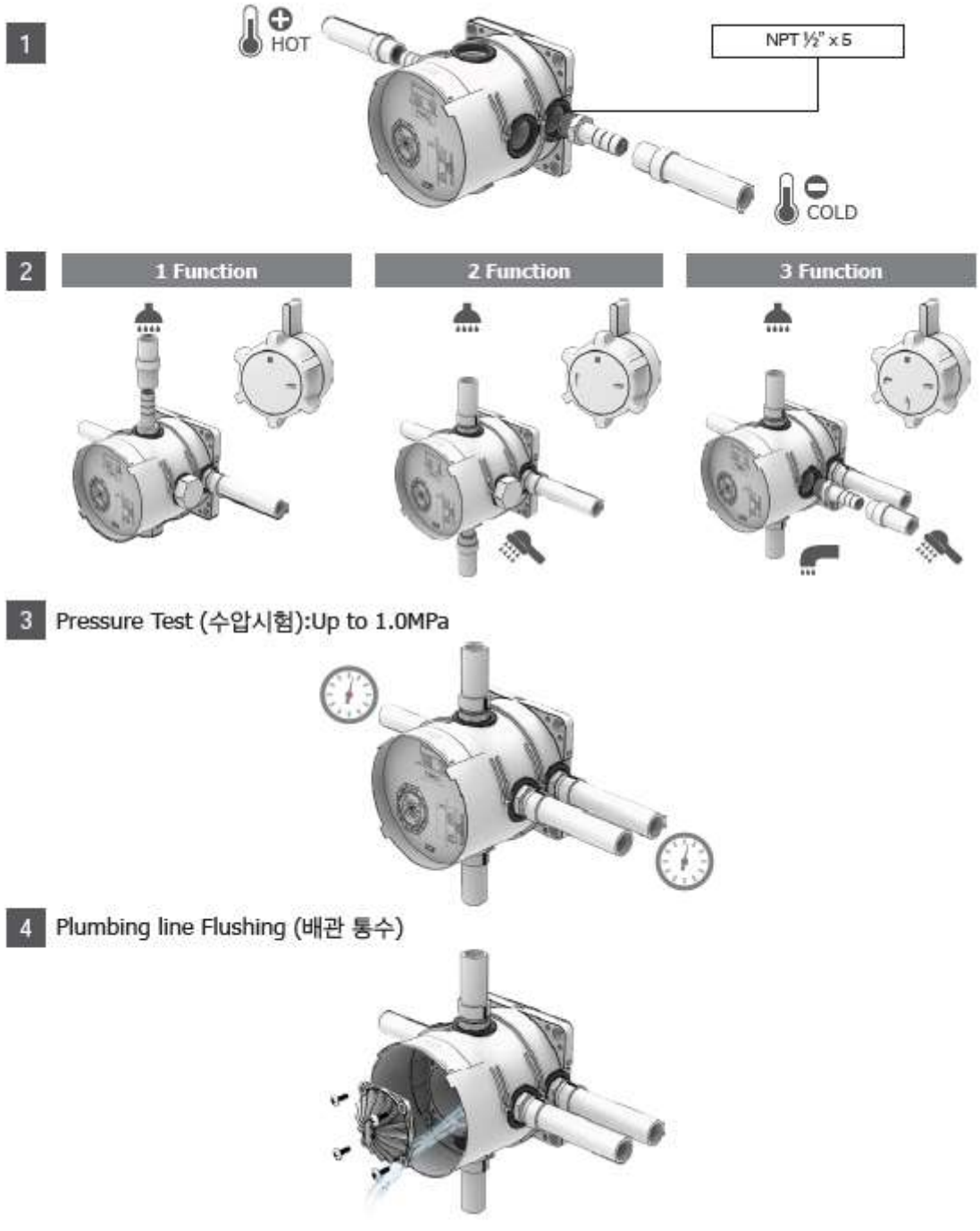
3 Function

4. Shower Kit Installation

샤워 부품 설치



## 1. Plumbing Line Connection (배관연결) Pressure Test & Flushing (수압시험/통수)



## 2. Wall Mounting (벽 설치)

### 2-1. Timber Wall

**1 Regular Wall**

1/2" (12mm) Plywood  
2" X 4"

**Thick Wall**

3/8" (9mm) Plywood  
2" X 4"

Steel Frame

**2**

**3**

Plasterboard  
1/2" (12mm) Plywood  
3.5" (90mm)  
Plasterboard Tile  
Max 4 29/32" (125mm)  
Min 4 1/16" (103mm)  
1/2" (12mm)

Plasterboard  
1/2" (12mm) Plywood  
3/8" (9mm) Plywood  
3.5" (90mm)  
Plasterboard Tile  
Max 5 1/4" (134mm)  
Min 4 31/32" (126mm)  
7/8" (21mm)

▲	T	1 1/8" (30mm)	1 5/16" (33mm)	1 7/16" (35mm)
	A	Max 5 1/4" (134mm)	5 1/4" (134mm)	5 1/4" (134mm)
	Min	4 23/32" (120mm)	4 27/32" (123mm)	4 31/32" (126mm)

## 2. Wall Mounting (벽 설치)

### 2. 2x4 Timber

**1 Regular Wall**

**Thick Wall**

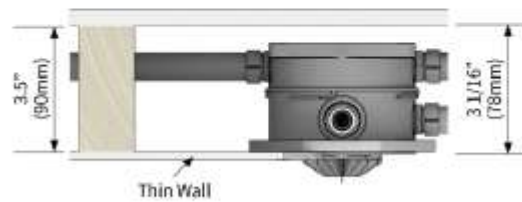
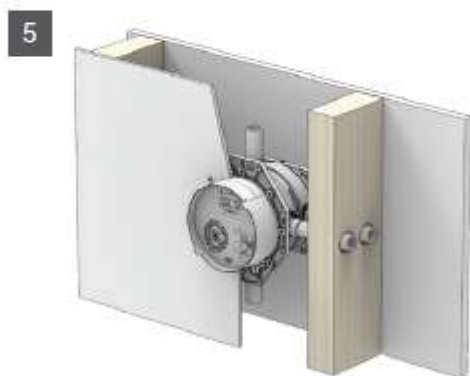
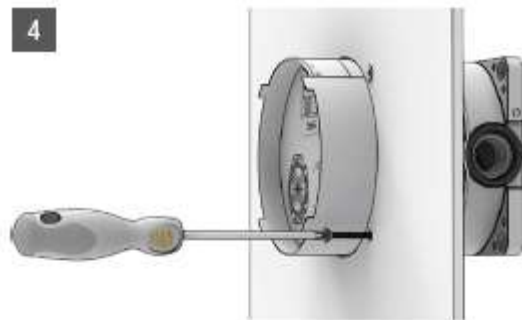
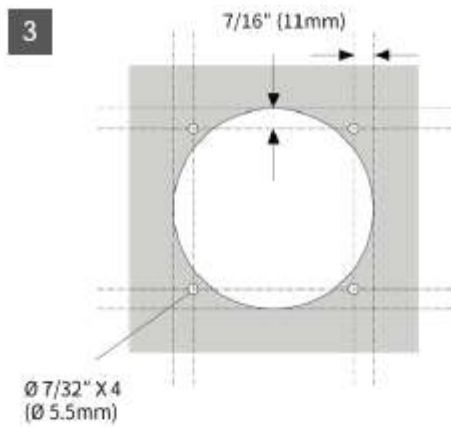
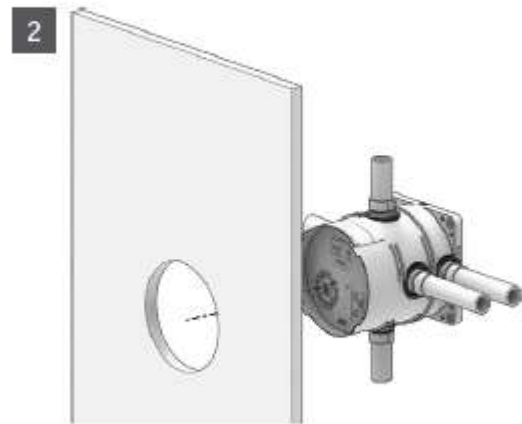
**2**

**3**

<b>A</b>	<b>T</b>	1 1/8" (30mm)	1 5/16 (33mm)	1 7/16 (35mm)
	<b>Max</b>	5 1/4" (134mm)	5 1/4" (134mm)	5 1/4" (134mm)
	<b>Min</b>	4 23/32" (120mm)	4 27/32" (123mm)	4 31/32" (126mm)

## 2. Wall Mounting (벽 설치)

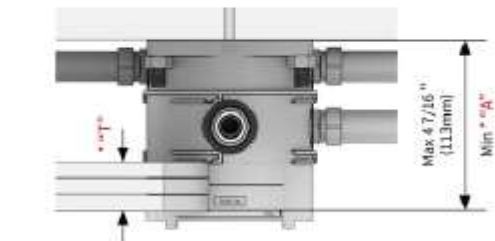
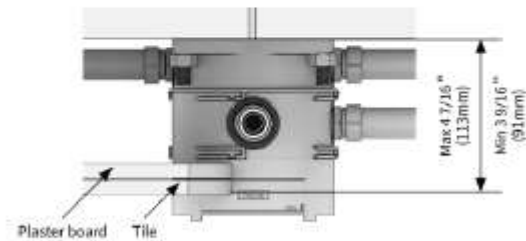
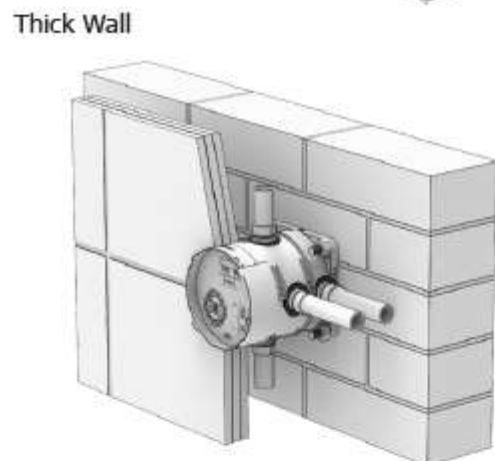
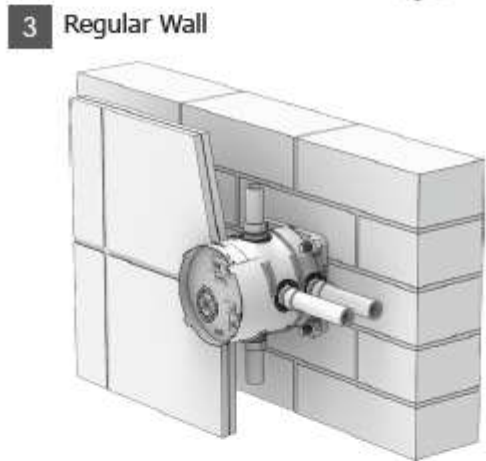
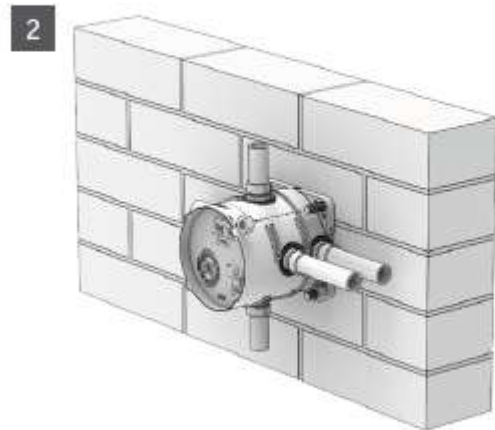
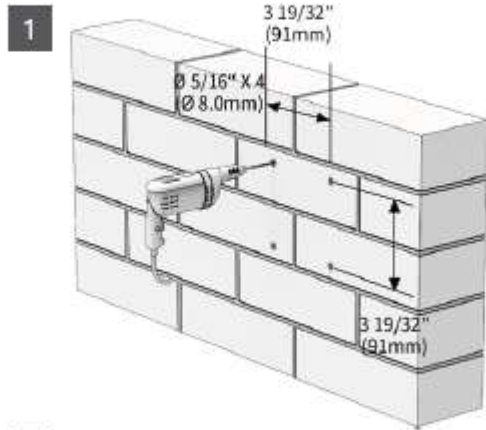
2-3. Thin Wall





## 2. Wall Mounting (벽 설치)

### 2-4. Brick Wall



T	1 1/8" (30mm)	1 5/16" (33mm)	1 7/16" (35mm)
A	Max	4 7/16" (113mm)	4 7/16" (113mm)
	Min	3 7/8" (98mm)	3 15/16" (101mm)

## 2. Wall Mounting (벽 설치)

### 2-5. CD & PB Pipe Connection (2중배관 설치)

1



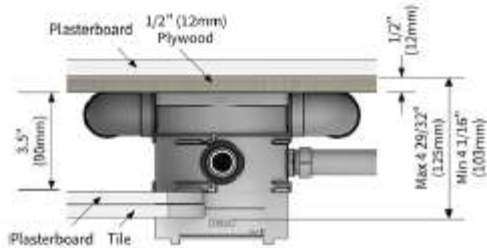
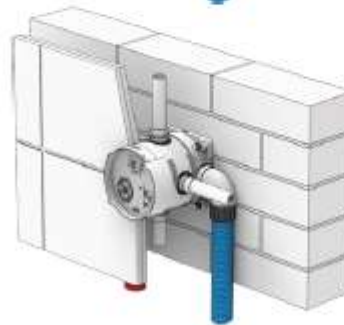
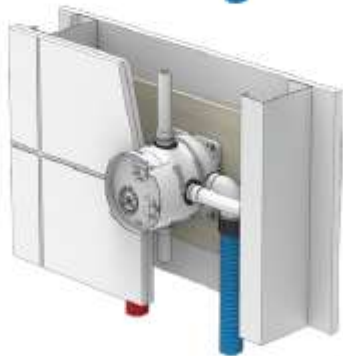
2

Steel Frame Wall

Brick Wall

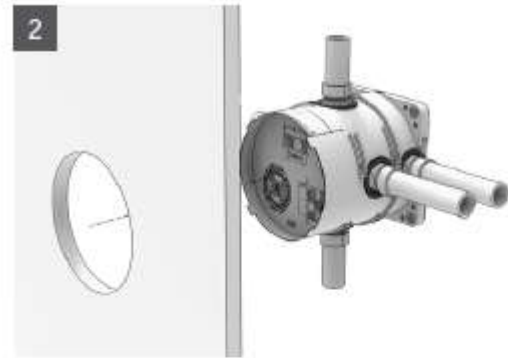
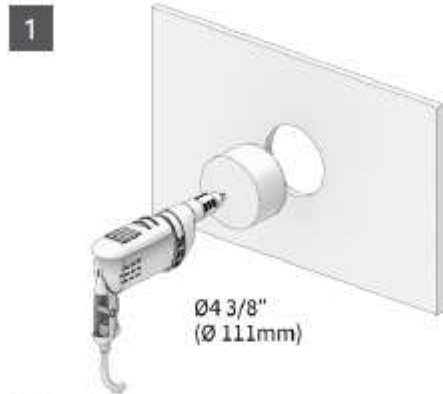


3

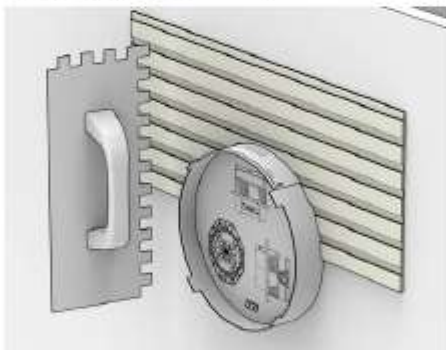


**3. Plasterboard & Tile Installation**

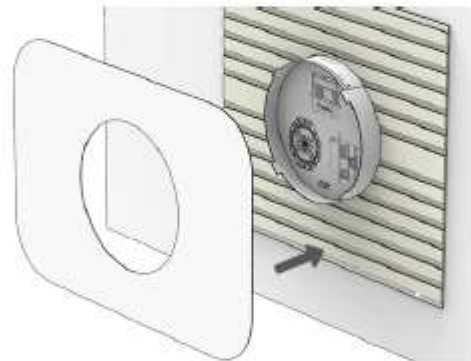
(석고보드 및 타일 설치)



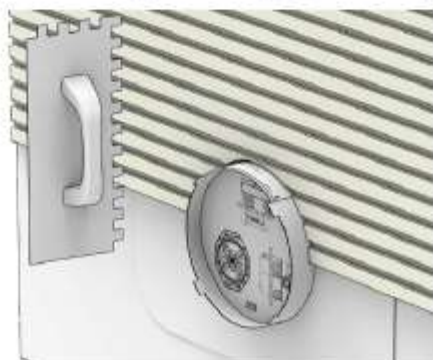
3 Tile Bond Application for Gasket (가스켓자리 본드도포)



4 Gasket Installation (가스켓장착)



5 Tile Bond Application (타일본드 도포)

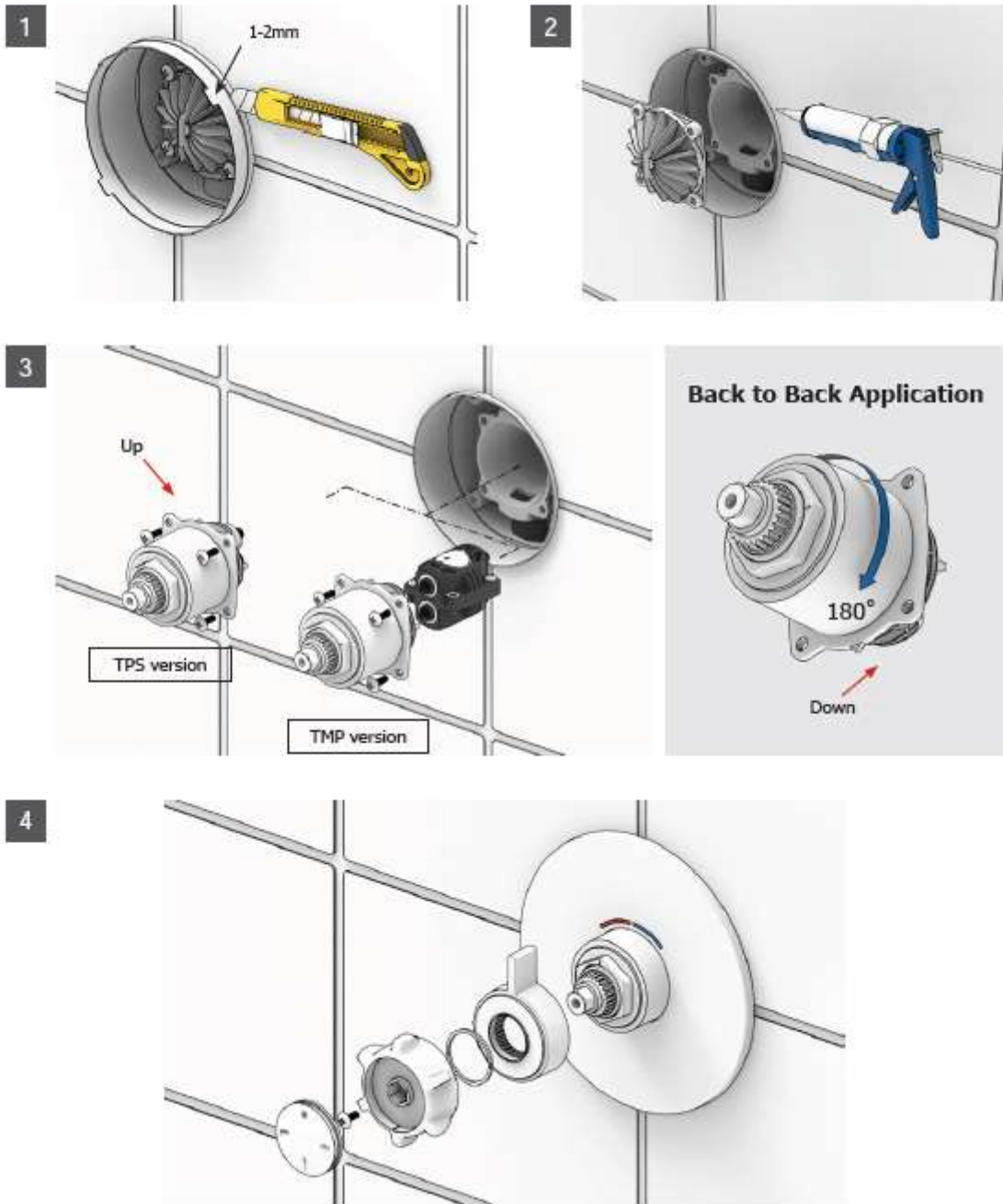


6 Tile Installation (타일설치)

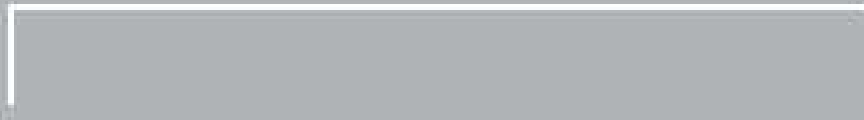


## 4. Valve & Trim Installation

(외장부품 설치)



**General Shower is a brand creating  
innovative, user-friendly, sustainable  
shower system and faucets**



**Tapart Technology Inc.**  
110 Namdongseo-ro, Namdong-gu, Incheon 21596 Korea  
[www.Tapart.co.kr](http://www.Tapart.co.kr), [info@Tapart.co.kr](mailto:info@Tapart.co.kr), TEL-32-817-9991, FAX70-8360-1000