



# IPC ZOOM MODULE with Vehicle Load Positioning Camera

**NEW** PRP-H3600DT



## Features

### Using Ultra-Low Light sensor

With 2M 1/1.9" CMOS image sensor, you can check High image quality and clear color images in dim light environment. It also has the ability to powerful low noise effect and outstanding noise reduction.

### Powerful zoom capability

x36 optical zoom, x12 digital zoom, excellent automatic focusing, and 5.8 ~ 210.0 mm focus range. Especially, since the aperture is F1.5~F4.8, it is possible to acquire better quality image than any other camera.

### Triple codec, Simultaneous multi streaming

Triple H/W codec enables to transmit max 3 independent streams with different settings for different requirements. Therefore, it is possible to combine seamless remote video monitoring using H.264/H.265 with simultaneous transmission to Network Video Recorder.

### Micro-Step Technology

Due to the Micro-step technology, on step angle is divided by 256. Accordingly, hi accuracy as well as ultra-low sound noise can be achieved. Micro-step technology enables ultra-low speed down to 0.05/s.

### Weather Proof Design

With IP66 protection, the camera ensures normal operation regardless of rain, snow or storm.

# Specifications

## Camera

Image Device	1/1.9" Progressive Scan CMOS
Effective Pixels	Approx. 2.38 Mega pixels
Aspect Ratio	HD: 16:9 SD: 4:3
Zoom Ratio	Main: Optical x36, Digital x12
Focal Length	Main: f = 5.8 ~ 210mm, F3.62 ~ F5.31
MIN. Illumination	COLOR : 0.005 Lux@F1.5 B/W : 0.0005 Lux@F1.5, 0 Lux (IR)
Day & Night	Auto(CDS/CAM) / Day / Night(ICR)
Focus	Auto/Semi Auto/Manual
DNR(2D/3D)	OFF/Level Adjustment(1~5)
Shutter Speed	1 sec ~ 1/10,000sec(60/30 mode) 1 sec ~ 1/10,000sec(50/25 mode)
AGC	Auto/Manual
White Balance	Auto/Indoor/Outdoor/Manual
WDR/BLC	OFF/BLC/WDR(Digital)
Other Function	Defog(Digital), HLC, Dynamic slow shutter

## Pan/Tilt

Range	Pan: 360° (Endless) Tilt: 180° (Auto-Flip)
Speed	Pan: 0.4 ~ 80°/sec., Tilt : 0.4 ~ 60°/sec
Preset	255 Presets
Accuracy	Max. ±0.1°(Pan) / Max. ±0.05°(Tilt)
Operating Temp.	-40 ~ +55°C
Protection grade	IP66, TVS4000V surge-proof, lighting-proof
Power	AC24V
IR LED	Above 120 Meters
Net Weight	9.3kg
Dimension(mm)	(W)411 x (H)210mm x (D)269
Material	Aluminum die casting

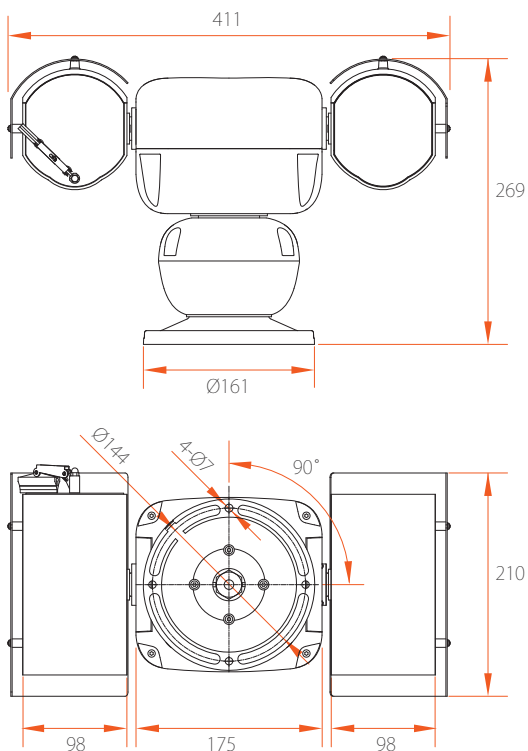
## IP Encoder

Ethernet	10Base-T/100Base-Tx
Video Compression	H.265/H.264 /MJPEG
Video Stream	Main 1080p/720p
	Second D1/CIF/QCIF
	Third 1080p/720p/D1/CIF/QCIF
Stream Type	Video/Complex(Video/Audio) Stream
Frame Rate	Max. 30 /25 fps for 1080P/720P/D1/CIF/QCIF
Bitrate	30Kbps ~ 16Mbps. Supports CBR/VBR/FIX QP
Audio Compression	Two way, G.711 A-law, G.711 μ-law, 128kbps, sampling rate 8kHz
Local Storage	Micro SD/SDHC/SDXC card. Support up to 128GB
IVA	Motion Detection, Occlusion Detection, Line Crossing*, Region entrance/exiting*, Intrusion*, Tampering*, etc
Alarm actions	Email, Micro SD/SDCH/SDXC Record, Relay Output, Snapshot, Notification of Client
Alarm	Pre-Post Alarm
Max No. of Clients	10 users(Depending on user bandwidth)
Web Brower	IE 6.0 above
Protocols Support	IPv4 IPv4/IPv6*, TCP/IP, UDP, RTP, RTSP, RTMP, NTP, HTTP, HTTPS*, SSL*, DNS, DDNS, DHCP, FTP, SMTP, ICMP, SNMP*
	DDNS Public DDNS services Support: www.dyndns.com
	ONVIF PROFILE S
Security	User Authentication(ID/PW), IP Address/Mac Address filtering*

The specifications are subject to change without prior notice. (\*) This feature is under development and will be added in the future.

# Dimension

Unit: mm



## PROBEDIGITAL Co.,Ltd.

Probedigital is a company specializing in IP security surveillance that designs, manufacture and distributes based on the long experience and know-how. The main products are multi-sensor IP camera, IP PTZ camera, IP housing integrated bullet camera, mainly developed by differentiation based on product group using low-light zoom module and own technology.

#107 Hyundai I-Valley, 31, Galmachi-ro 244beon-gil, Jungwon-gu, Seongnam-si, Gyeonggi-do, 13212, Rep. of Korea

Tel: + 82.31.777.3490 | Fax: + 82. 31. 777. 3493 | E-mail: sales@probedigital.co.kr

[www.probedigital.com](http://www.probedigital.com)

# LIGHT-LOAD HD PTZ CAMERA SYSTEM

**NEW PRP-H3600DS**

1080p Full HD

ONVIF

Ultra-low Light 

## Features

### Using Ultra-Low Light sensor

With 2M 1/1.9" CMOS image sensor, you can check High image quality and clear color images in dim light environment. It also has the ability to powerful low noise effect and outstanding noise reduction.

### Powerful zoom capability

x36 optical zoom, x12 digital zoom, excellent automatic focusing, and 5.8 ~ 210.0 mm focus range. Especially, since the aperture is F1.5~F4.8, it is possible to acquire better quality image than any other camera.

### Triple codec, Simultaneous multi streaming

Triple H/W codec enables to transmit max 3 independent streams with different settings for different requirements. Therefore, it is possible to combine seamless remote video monitoring using H.264/H.265 with simultaneous transmission to Network Video Recorder.

### Micro-Step Technology

Due to the Micro-step technology, on step angle is divided by 256. Accordingly, hi accuracy as well as ultra-low sound noise can be achieved. Micro-step technology enables ultra-low speed down to 0.05/s.

### Weather Proof Design

With IP66 protection, the camera ensures normal operation regardless of rain, snow or storm.

# Specifications

## Camera

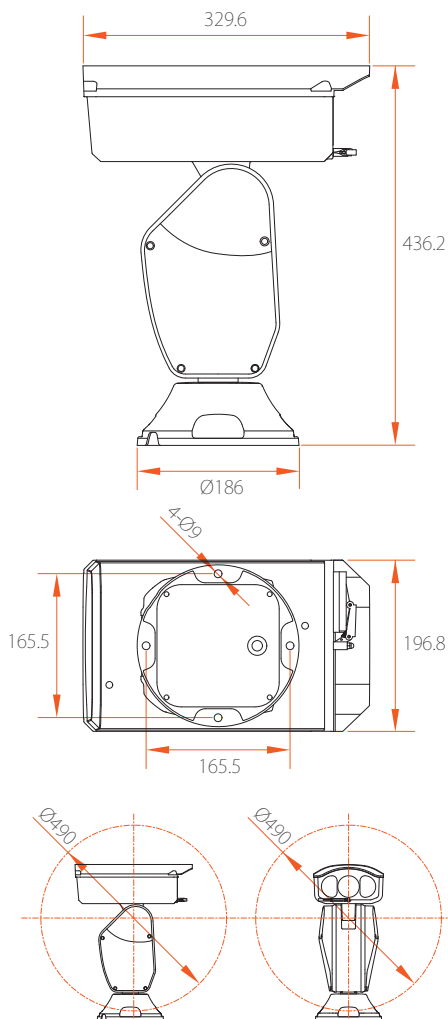
Image Device	1/1.9" Progressive Scan CMOS
Effective Pixels	Approx. 2.38 Mega pixels
Aspect Ratio	HD: 16:9 SD: 4:3
Zoom Ratio	Main: Optical x36, Digital x12
Focal Length	Main: f = 5.8 ~ 210mm, F3.62 ~ F5.31
MIN. Illumination	COLOR : 0.005 Lux@F1.5 B/W : 0.0005 Lux@F1.5, 0 Lux (IR)
Day & Night	Auto(CDS/CAM) / Day / Night(ICR)
Focus	Auto/Semi Auto/Manual
DNR(2D/3D)	OFF/Level Adjustment(1~5)
Shutter Speed	1 sec ~ 1/10,000sec(60/30 mode) 1 sec ~ 1/10,000sec(50/25 mode)
AGC	Auto/Manual
White Balance	Auto/Indoor/Outdoor/Manual
WDR/BLC	OFF/BLC/WDR(Digital)
Other Function	Defog(Digital), HLC, Dynamic slow shutter

## Pan/Tilt

Range	Pan: 360° (Endless) Tilt: 125° (-40° ~ +85°)
Speed	Pan: 0.4 ~ 80°/sec., Tilt : 0.4 ~ 40°/sec
Preset	255 Presets
Accuracy	Max. ±0.1°(Pan) / Max. ±0.05°(Tilt)
Operating Temp.	-40 ~ +55°C
Protection grade	IP66, TVS4000V surge-proof, lighting-proof
Power	AC24V
IR LED	Above 100 Meters
Net Weight	9.6kg
Dimension(mm)	(W)328 x (H)197mm x (D)438
Material	Aluminum die casting

# Dimension

Unit: mm



## IP Encoder

Ethernet	10Base-T/100Base-Tx
Video Compression	H.265/H.264 / MJPEG
Video Stream	Main 1080p/720p
	Second D1/CIF/QCIF
	Third 1080p/720p/D1/CIF/QCIF
Stream Type	Video/Complex(Video/Audio) Stream
Frame Rate	Max. 30 /25 fps for 1080P/720P/D1/CIF/QCIF
Bitrate	30Kbps ~ 16Mbps. Supports CBR/VBR/FIX QP
Audio Compression	Two way, G.711 A-law, G.711 $\mu$ -law, 128kbps, sampling rate 8kHz
Local Storage	Micro SD/SDHC/SDXC card. Support up to 128GB
IVA	Motion Detection, Occlusion Detection, Line Crossing*, Region entrance/exiting*, Intrusion*, Tampering*, etc
Alarm actions	Email, Micro SD/SDCH/SDXC Record, Relay Output, Snapshot, Notification of Client
Alarm	Pre-Post Alarm
Max No. of Clients	10 users(Depending on user bandwidth)
Web Brower	IE 6.0 above
Protocols Support	IPv4 IPv4/IPv6*, TCP/IP, UDP, RTP, RTSP, RTMP, NTP, HTTP, HTTPS*, SSL*, DNS, DDNS, DHCP, FTP, SMTP, ICMP, SNMP*
	DDNS Public DDNS services Support: www.dyndns.com
	ONVIF PROFILE S
Security	User Authentication(ID/PW), IP Address/Mac Address filtering*

The specifications are subject to change without prior notice. (\*) This feature is under development and will be added in the future.



## PROBEDIGITAL Co.,Ltd.

Probedigital is a company specializing in IP security surveillance that designs, manufacture and distributes based on the long experience and know-how. The main products are multi-sensor IP camera, IP PTZ camera, IP housing integrated bullet camera, mainly developed by differentiation based on product group using low-light zoom module and own technology.

#107 Hyundai I-Valley, 31, Galmachi-ro 244beon-gil, Jungwon-gu, Seongnam-si, Gyeonggi-do, 13212, Rep. of Korea

Tel: + 82.31.777.3490 | Fax: + 82. 31. 777. 3493 | E-mail: sales@probedigital.co.kr

[www.probedigital.com](http://www.probedigital.com)

DIGITAL  
SURVEILLANCE  
SYSTEM

# HEAVY-LOAD HD PTZ CAMERA SYSTEM

**NEW** PRP-H3600K

1080p Full HD

ONVIF

Ultra-low Light 



## Features

### Using Ultra-Low Light sensor

With 2M 1/1.9" CMOS image sensor, you can check High image quality and clear color images in dim light environment. It also has the ability to powerful low noise effect and outstanding noise reduction.

### Powerful zoom capability

x36 optical zoom, x12 digital zoom, excellent automatic focusing, and 5.8 ~ 210.0 mm focus range. Especially, since the aperture is F1.5~F4.8, it is possible to acquire better quality image than any other camera.

### Triple codec, Simultaneous multi streaming

Triple H/W codec enables to transmit max 3 independent streams with different settings for different requirements. Therefore, it is possible to combine seamless remote video monitoring using H.264/H.265 with simultaneous transmission to Network Video Recorder.

### Built-in step out compensation with feedback control

Zero deviation positioning technology for ensuring high precision and accuracy in preset, never losing presets and group(patrol). High precision closed loop stepper motors and gears to provide accuracy, smoothness, stability and quietness of movements.

### Weather Proof Design

With IP66 protection, the camera ensures normal operation regardless of rain, snow or storm.

# Specifications

## Camera

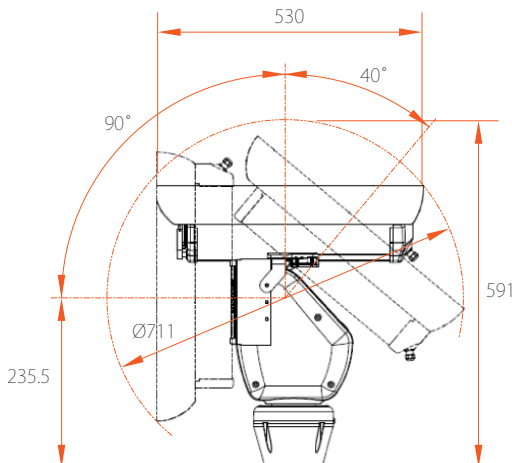
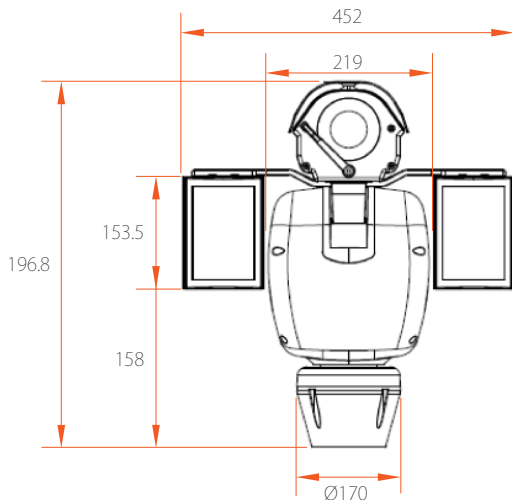
Image Device	1/1.9" Progressive Scan CMOS
Effective Pixels	Approx. 2.38 Mega pixels
Aspect Ratio	HD: 16:9 SD: 4:3
Zoom Ratio	Main: Optical x3, Digital x12
Focal Length	Main: f = 120 ~ 360mm, F3.62 ~ F5.31
MIN. Illumination	COLOR : 0.005 Lux@F1.5 B/W : 0.0005 Lux@F1.5, 0 Lux (IR)
Day & Night	Auto(CDS/CAM) / Day / Night(ICR)
Focus	Auto/Semi Auto/Manual
DNR(2D/3D)	OFF/Level Adjustment(1~5)
Shutter Speed	1 sec ~ 1/10,000sec(60/30 mode) 1 sec ~ 1/10,000sec(50/25 mode)
AGC	Auto/Manual
White Balance	Auto/Indoor/Outdoor/Manual
WDR/BLC	OFF/BLC/WDR(Digital)
Other Function	Defog(Digital), HLC, Dynamic slow shutter

## Pan/Tilt

Range	Pan: 360° (Endless) Tilt: -90~40°
Speed	Pan: 0.025 ~ 120°/sec , Tilt : 0.025 ~40°/sec
Preset	255 Presets
Accuracy	Max. ±0.1°(Pan) / Max. ±0.05°(Tilt)
Step-out correction	±1.5°
Operating Temp.	-40 ~ +55°C
Protection grade	IP66, 4000V surge protection.
Power	AC24V
IR LED(Optional)	Above 150 Meters
Net Weight	12kg
Others	Built-in Fan/Heater/Wiper
Weight	Max. 7kg
Dimension(mm)	(W)219 x (H)510 x (D)530
Material	Aluminum die casting

# Dimension

Unit: mm



## IP Encoder

Ethernet	10Base-T/100Base-Tx	
Video Compression	H.265/H.264 /MJPEG	
Video Stream	Main	1080p/720p
	Second	D1/CIF/QCIF
	Third	1080p/720p/D1/CIF/QCIF
Stream Type	Video/Complex(Video/Audio) Stream	
Frame Rate	Max. 30 /25 fps for 1080P/720P/D1/CIF/QCIF	
Bitrate	30Kbps ~ 16Mbps. Supports CBR/VBR/FIX QP	
Audio Compression	Two way, G.711 A-law, G.711 μ-law, 128kbps, sampling rate 8kHz	
Local Storage	Micro SD/SDHC/SDXC card. Support up to 128GB	
IVA	Motion Detection, Occlusion Detection, Line Crossing*, Region entrance/exiting*, Intrusion*, Tampering*, etc	
Alarm actions	Email, Micro SD/SDCH/SDXC Record, Relay Output, Snapshot, Notification of Client	
Alarm	Pre-Post Alarm	
Max No. of Clients	10 users(Depending on user bandwidth)	
Web Browser	IE 6.0 above	
Protocols Support	IPv4	IPv4/IPv6*, TCP/IP, UDP, RTP, RTSP, RTMP, NTP, HTTP, HTTPS*, SSL*, DNS, DDNS, DHCP, FTP, SMTP, ICMP, SNMP*
	DDNS	Public DDNS services Support: www.dyndns.com
	ONVIF	PROFILE S
	Security	User Authentication(ID/PW), IP Address/Mac Address filtering*

The specifications are subject to change without prior notice. (\*) This feature is under development and will be added in the future.


**PROBEDIGITAL Co.,Ltd.**

Probedigital is a company specializing in IP security surveillance that designs, manufacture and distributes based on the long experience and know-how. The main products are multi-sensor IP camera, IP PTZ camera, IP housing integrated bullet camera, mainly developed by differentiation based on product group using low-light zoom module and own technology.

#107 Hyundai I-Valley, 31, Galmachi-ro 244beon-gil, Jungwon-gu, Seongnam-si, Gyeonggi-do, 13212, Rep. of Korea

Tel: + 82.31.777.3490 | Fax: + 82. 31. 777. 3493 | E-mail: sales@probedigital.co.kr

[www.probedigital.com](http://www.probedigital.com)



# DIGITAL SURVEILLANCE SYSTEM



# 2M x3 / x3 HD IP BULLET CAMERA

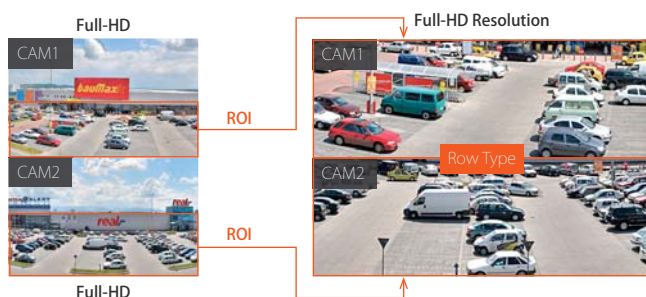
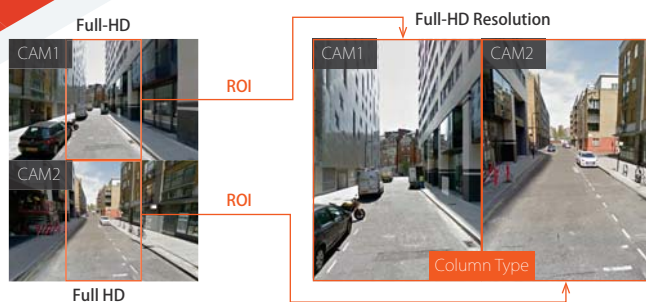
**NEW PHIB-H300TW**



## Features

### New Concept of Two Sensor Camera System

Twin-One camera is combine two image into each ROI. It combines with one image and transmits it to high definition Full HD video



### Using Ultra-Low Light sensor

With 2M 1/1.9"CMOS image sensor, you can check High image quality and clear color images in dim light environment. It also has the ability to powerful low noise effect and outstanding noise reduction.

### Useful zoom capability

x3 optical zoom, x12 digital zoom, excellent automatic focusing, and 3.6 ~10 mm focus range. Especially, since the aperture is F1.5~F2.5, it is possible to acquire better quality image than any other camera.

### Easily adjustable two-Universal joint camera gimbal

It is designed with two universal joint structures that enable camera angle to be adjusted freely.

### System additional Benefits

By connecting of Full-HD image with two cameras via one Ethernet, the bandwidth, license of recoding server, storage and installation cost are reduced by 50%.

### Weather Proof Design

With IP67 protection, the camera ensures normal operation regardless of rain, snow or storm.

# Specifications

## Camera

Model Number	PHIB-H300TW	PHIB-H300TWS
Image Device	1/1.9" Progressive Scan CMOS	1/2.8" Progressive Scan CMOS
Effective Pixels	Approx. 2.35 Mega pixels	Approx. 2.43 Mega pixels
Aspect Ratio	HD: 16:9	
Zoom Ratio	Optical x3, Digital x12	
Focal Length	f = 3.6 ~ 10.0 mm	f = 3.0 ~ 9.0 mm
Aperture	F1.5 ~ F2.5	F1.6 ~ F2.7
Horizontal angle	102.5°(W) ~ 59.8°(T)	93.5°(W) ~ 30.24°(T)
MIN. Illumination	COLOR : 0.005Lux@F1.5 B/W : 0.0005Lux@F1.5, 0 Lux(IR)	COLOR : 0.05Lux@F1.6 B/W : 0.01Lux@F1.6
Day & Night	Auto(CDS or CAM) / Day / Night(ICR)	
Focus	Auto/Manual	
DNR(2D/3D)	OFF/Level Adjustment(1~5)	
Shutter Speed	1 sec ~ 1/10,000sec(60/30 mode) 1 sec ~ 1/10,000sec(50/25 mode)	
AGC	Auto/Manual	
White Balance	Auto/Indoor/Outdoor/Manual	
WDR/BLC	OFF/BLC/WDR(Digital)	
Other Function	Defog(Digital), HLC, Dynamic slow shutter	

## General

Sensor In /Out	Built-in 2 Input / 1 Output(Relay)
Audio In / Out	1 Audio In / 1 Audio Out
Video Out	BNC: VBS 1.0 Vp-p
IR distance	More than 30M, Wave: 850nm
Power	DC 12V 1.5A(Max. 18W) Optional: PoE IEEE802.3at
Approvals	KC, IP67
Housing	Weather proof/Vandal Proof Structure
Material	Body: Aluminum Die-casting
Dimension	210 x 118 x 304 (mm)
Weight	3Kg (approx.)
Operating Temp.	-20°C ~ 50°C

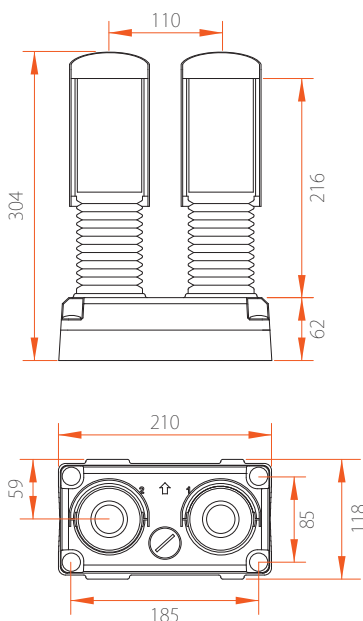
## IP Encoder

Ethernet	10Base-T/100Base-Tx
Video Compression	H.265/H.264 /MJPEG
Video Stream	Main 1080p/720p
	Second D1/CIF/QCIF
	Third 1080p/720p/D1/CIF/QCIF
Stream Type	Video/Complex(Video/Audio) Stream
Frame Rate	Max. 30 /25 fps for 1080P/720P/D1/CIF/QCIF
Bitrate	30Kbps ~ 16Mbps Supports CBR/VBR/FIX QP
Audio Compression	Two way, G.711 A-law, G.711 $\mu$ -law, 128kbps, sampling rate 8kHz
Local Storage	Micro SD/SDHC/SDXC card Support up to 128GB
IVA	Motion Detection, Occlusion Detection, Line Crossing*, Region entrance/exiting*, Intrusion*, Tampering*, etc
Alarm actions	Email, Micro SD/SDCH/SDXC Record, Relay Output, Snapshot, Notification of Client
Alarm	Pre-Post Alarm
Max No. of Clients	10 users(Depending on user bandwidth)
Web Brower	IE 6.0 above
Protocols Support	IPv4 IPv4/IPv6*, TCP/IP, UDP, RTP, RTSP, RTMP, NTP, HTTP, HTTPS*, SSL*, DNS, DDNS, DHCP, FTP, SMTP, ICMP, SNMP*
	DDNS Public DDNS services Support: www.dyndns.com
	ONVIF PROFILE S
Security	User Authentication(ID/PW), IP Address/Mac Address filtering*

The specifications are subject to change without prior notice. (\*) This feature is under development and will be added in the future.

# Dimension

Unit: mm





# DIGITAL SURVEILLANCE SYSTEM



## x36 HD IP PTZ with THERMAL CAMERA

**NEW** PHTI-H3603TW

1080p Full HD

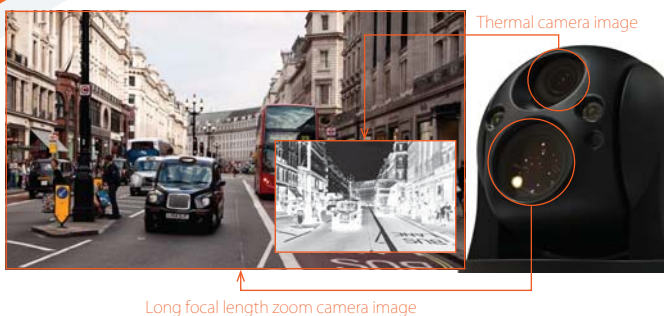
ONVIF

Ultra-low Light

## Features

### New Concept of Two Sensor Camera System

The Twin-One PTZ camera system is capable of synthesizing two camera image separately into one image and it can transfer standard-resolution full-HD images synthesized on one channel. Among the screen configurations below, the main screen is the image of the long focal length zoom camera, and the small screen is the thermal camera image.



### Using Ultra-Low Light sensor

With 2M 1/1.9" CMOS image sensor, you can check High image quality and clear color images in dim light environment. It also has the ability to powerful low noise effect and outstanding noise reduction.

### Powerful zoom capability

36x optical zoom, 12x digital zoom, excellent automatic focusing, and 5.8 ~ 210.0 mm focus range. Especially, since the aperture is F1.5~F4.8, it is possible to acquire better quality image than any other camera.

### Thermal Camera

Use a thermal camera to get clear images even at night.

# Specifications

## Camera

Image Device	1/1.9" Progressive Scan CMOS
Effective Pixels	Approx. 2.38 Mega pixels
Aspect Ratio	HD: 16:9 SD: 4:3
Zoom Ratio	Optical x36, Digital x12 Thermal : 640 x 512 17 $\mu$ m
Focal Length	f = 5.8 ~ 210mm, F1.5 ~ F4.8
Horizontal angle	60.0°(W) ~ 3.70°(T)
MIN. Illumination	COLOR : 0.005 Lux@F1.5 B/W : 0.0005 Lux@F1.5, 0 Lux (IR)
Day & Night	Auto(CDS/CAM) / Day / Night(ICR)
Focus	Auto/Semi Auto/Manual
DNR(2D/3D)	OFF/Level Adjustment(1~5)
Shutter Speed	1 sec ~ 1/10,000sec(60/30 mode) 1 sec ~ 1/10,000sec(50/25 mode)
AGC	Auto/Manual
White Balance	Auto/Indoor/Outdoor/Manual
WDR/BLC	OFF/BLC/WDR(Digital)

## Thermal Camera

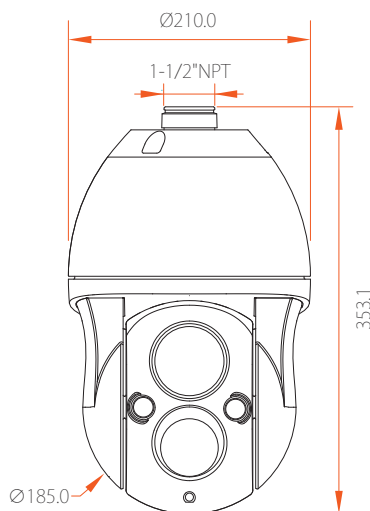
Detector type	Uncooled VOx Microbolometer
Format	640 x 512 17 $\mu$ m
Frame Rate	60Hz
NETD	$\leq$ 60mK@25°C,f#1.0

## Pan/Tilt

Range	Pan: 360°(Endless) Tilt: -7° ~ 180° (Flip)
Speed	Preset: 240°/sec Manual: 0.05° ~ 180°/sec Scan: 1.4° ~ 150°/sec
Preset	255 Presets with Labels
Group	8 groups(Max. 16 presets)

# Dimension

Unit: mm



## General

Sensor In /Out	Built-in 4 Input / 2 Output(Relay)
Audio In / Out	1 Audio In / 1 Audio Out
Video Out	SMPTE-292M(HD-SDI), BNC:VBS 1.0Vp-p
IR distance	More than 70m
Power	Dual: AC24V / DC12V 36W, Heater on(66W)
Approvals	KC, IP66
Housing	Weather proof/Vandal Proof Structure
Material	Body: Aluminum Die-casting
Dimension	Net: Ø210 x 353.1(H) mm
Weight	6.08 Kg(approx.)
Operating Temp.	-30°C ~ 50°C

## IP Encoder

Ethernet	10Base-T/100Base-Tx
Video Compression	H.265/H.264 /MJPEG
Video Stream	Main 1080p/720p
	Second D1/CIF/QCIF
	Third 1080p/720p/D1/CIF/QCIF
Stream Type	Video/Complex(Video/Audio) Stream
Frame Rate	Max. 30 /25 fps for 1080P/720P/D1/CIF/QCIF
Bitrate	30Kbps ~ 16Mbps. Supports CBR/VBR/FIX QP
Audio Compression	Two way, G.711 A-law, G.711 $\mu$ -law, 128kbps, sampling rate 8kHz
Local Storage	Micro SD/SDHC/SDXC card. Support up to 128GB
IVA	Motion Detection, Occlusion Detection, Line Crossing*, Region entrance/exiting*, Intrusion*, Tampering*, etc
Alarm actions	Email, Micro SD/SDCH/SDXC Record, Relay Output, Snapshot, Notification of Client
Alarm	Pre-Post Alarm
Max No. of Clients	10 users(Depending on user bandwidth)
Web Brower	IE 6.0 above
Protocols Support	IPv4 IPv4/IPv6*, TCP/IP, UDP, RTP, RTSP, RTMP, NTP, HTTP, HTTPS*, SSL*, DNS, DDNS, DHCP, FTP, SMTP, ICMP, SNMP*
	DDNS Public DDNS services Support: www.dyndns.com
	ONVIF PROFILE S
	Security User Authentication(ID/PW), IP Address/Mac Address filtering*

The specifications are subject to change without prior notice. (\*) This feature is under development and will be added in the future.


**PROBEDIGITAL Co.,Ltd.**

Probedigital is a company specializing in IP security surveillance that designs, manufacture and distributes based on the long experience and know-how. The main products are multi-sensor IP camera, IP PTZ camera, IP housing integrated bullet camera, mainly developed by differentiation based on product group using low-light zoom module and own technology.

#107 Hyundai I-Valley, 31, Galmachi-ro 244beon-gil, Jungwon-gu, Seongnam-si, Gyeonggi-do, 13212, Rep. of Korea

Tel: + 82.31.777.3490 | Fax: + 82. 31. 777. 3493 | E-mail: sales@probedigital.co.kr

[www.probedigital.com](http://www.probedigital.com)

## DIGITAL SURVEILLANCE SYSTEM

# x36 HD IP-SDI IR PTZ OUTDOOR CAMERA

**NEW** PRI-H3600



## Features

### Using Ultra-Low Light sensor

With 2M 1/1.9" CMOS image sensor, you can check High image quality and clear color images in dim light environment. It also has the ability to powerful low noise effect and outstanding noise reduction.

### Powerful zoom capability

36x optical zoom, 12x digital zoom, excellent automatic focusing, and 5.8 ~ 210.0 mm focus range. Especially, since the aperture is F1.5~F4.8, it is possible to acquire better quality image than any other camera.

### Micro-Step Technology

Due to the Micro-step technology, on step angle is divided by 256. Accordingly, hi accuracy as well as ultra-low sound noise can be achieved. Micro-step technology enables ultra-low speed down to 0.05/s.

### Triple codec, Simultaneous multi steaming

Triple H/W codec enables to transmit max 3 independent streams with different settings for different requirements. Therefore, it is possible to combine seamless remote video monitoring using H.264/H.265 with simultaneous transmission to Network Video Recorder.

### Auto Temperature Control

Built-in fan and heater for harsh environments.

### Weather Proof Design

With IP66 protection, the camera ensures normal operation regardless of rain, snow or storm.

### IR Light

High-power monocrystal infrared LED is used to reach over 300m and the light distance and angle are automatically synchronized according to the zoom magnification of the camera, so nighttime surveillance is efficient .

# Specifications

## Camera

Image Device	1/1.9" Progressive Scan CMOS
Effective Pixels	Approx. 2.38 Mega pixels
Aspect Ratio	HD: 16:9 SD: 4:3
Zoom Ratio	Optical x36, Digital x12
Focal Length	f = 5.8 ~ 210mm, F1.5 ~ F4.8
Horizontal angle	60.0°(W) ~ 3.7°(T)
MIN. Illumination	COLOR : 0.005 Lux@F1.5 B/W : 0.0005 Lux@F1.5, 0 Lux (IR)
Day & Night	Auto(CDS/CAM) / Day / Night(ICR)
Focus	Auto/Semi Auto/Manual
DNR(2D/3D)	OFF/Level Adjustment(1~5)
Shutter Speed	1 sec ~ 1/10,000sec(60/30 mode) 1 sec ~ 1/10,000sec(50/25 mode)
AGC	Auto/Manual
White Balance	Auto/Indoor/Outdoor/Manual
WDR/BLC	OFF/BLC/WDR(Digital)
Other Function	Defog(Digital), HLC, Dynamic slow shutter

## General

Sensor In /Out	Built-in 4 Input / 2 Output(Relay)
Audio In / Out	1 Audio In / 1 Audio Out
Video Out	SMPT-292M(HD-SDI), BNC:VBS 1.0Vp-p
IR distance	More than 300M
Power	Dual: AC24V / DC12V 36W, Heater on(66W)
Approvals	KC, IP66
Housing	Weather proof/Vandal Proof Structure
Material	Body: Aluminum Die-casting
Dimension	Net: Ø210 x 353.1(H) mm
Weight	6.8 Kg(approx.)
Operating Temp.	-30°C ~ 50°C

## Pan/Tilt

Range	Pan: 360°(Endless) Tilt: -7° ~ 180° (Flip)
Speed	Preset: 240°/sec Manual: 0.05° ~ 180°/sec Scan: 1.4° ~ 150°/sec
Preset	255 Presets with Labels
Group	8 groups(Max. 16 presets)

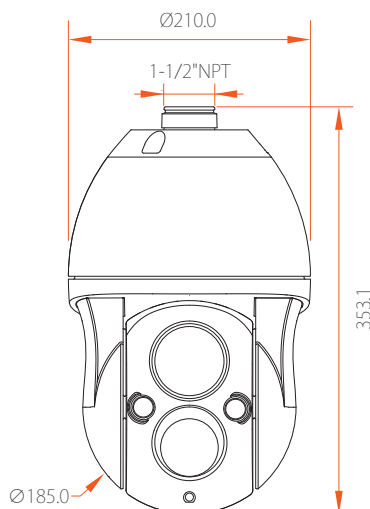
## IP Encoder

Ethernet	10Base-T/100Base-Tx
Video Compression	H.265/H.264 /MJPEG
Video Stream	Main 1080p/720p
	Second D1/CIF/QCIF
	Third 1080p/720p/D1/CIF/QCIF
Stream Type	Video/Complex(Video/Audio) Stream
Frame Rate	Max. 30 /25 fps for 1080P/720P/D1/CIF/QCIF
Bitrate	30Kbps ~ 16Mbps. Supports CBR/VBR/FIX QP
Audio Compression	Two way, G.711 A-law, G.711 $\mu$ -law, 128kbps, sampling rate 8kHz
Local Storage	Micro SD/SDHC/SDXC card. Support up to 128GB
IVA	Motion Detection, Occlusion Detection, Line Crossing*, Region entrance/exiting*, Intrusion*, Tampering*, etc
Alarm actions	Email, Micro SD/SDCH/SDXC Record, Relay Output, Snapshot, Notification of Client
Alarm	Pre-Post Alarm
Max No. of Clients	10 users(Depending on user bandwidth)
Web Brower	IE 6.0 above
Protocols Support	IPv4 IPv4/IPv6*, TCP/IP, UDP, RTP, RTSP, RTMP, NTP, HTTP, HTTPS*, SSL*, DNS, DDNS, DHCP, FTP, SMTP, ICMP, SNMP*
	DDNS Public DDNS services Support: www.dyndns.com
	ONVIF PROFILE S
	Security User Authentication(ID/PW), IP Address/Mac Address filtering*

The specifications are subject to change without prior notice. (\*) This feature is under development and will be added in the future.

# Dimension

Unit: mm



PROBEDIGITAL Co.,Ltd.

Probedigital is a company specializing in IP security surveillance that designs, manufacture and distributes based on the long experience and know-how. The main products are multi-sensor IP camera, IP PTZ camera, IP housing integrated bullet camera, mainly developed by differentiation based on product group using low-light zoom module and own technology.

#107 Hyundai I-Valley, 31, Galmachi-ro 244beon-gil, Jungwon-gu, Seongnam-si, Gyeonggi-do, 13212, Rep. of Korea

Tel: + 82.31.777.3490 | Fax: + 82. 31. 777. 3493 | E-mail: sales@probedigital.co.kr

www.probedigital.com

# DIGITAL SURVEILLANCE SYSTEM



## 2M x36 / x3 HD IP PTZ CAMERA

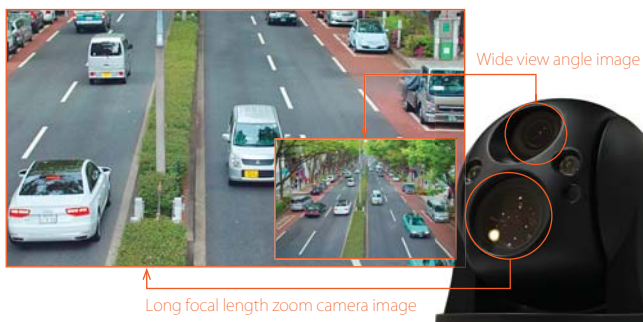
**NEW** PHRI-H3603TW



## Features

### New Concept of Two Sensor Camera System

The Twin-One PTZ camera system is capable of synthesizing two camera image separately into one image and can transfer standard resolution full-HD images synthesized on one channel. Among the screen configurations below, the main screen is the image of the long focal length zoom camera, and the small screen is the camera image where the almost fixed wide area can be observed.



### Auto Temperature Control

Built-in fan and heater for harsh environments.

### Powerful zoom capability

36x optical zoom, 12x digital zoom, excellent automatic focusing, and 5.8 ~ 210.0 mm focus range. Especially, since the aperture is F1.5~F4.8, it is possible to acquire better quality image than any other camera.

### Micro-Step Technology

Due to the Micro-step technology, on step angle is divided by 256. Accordingly, hi accuracy as well as ultra-low sound noise can be achieved. Micro-step technology enables ultra-low speed down to 0.05°/s

### Triple codec, Simultaneous multi steaming

Triple H/W codec enables to transmit max 3 independent streams with different settings for different requirements. Therefore, it is possible to combine seamless remote video monitoring using H.264/H.265 with simultaneous transmission to Network Video Recorder.

### Weather Proof Design

With IP66 protection, the camera ensures normal operation regardless of rain, snow or storm.

# Specifications

## Camera

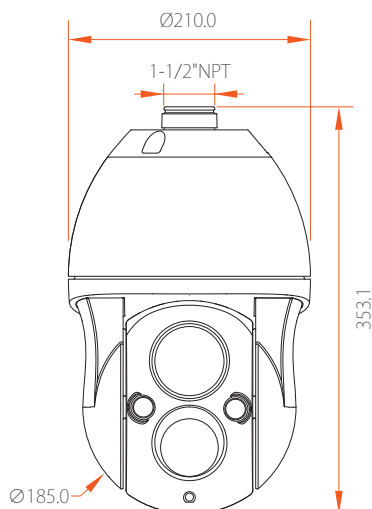
Image Device	1/1.9" Progressive Scan CMOS
Effective Pixels	Approx. 2.38 Mega pixels
Aspect Ratio	HD: 16:9 SD: 4:3
Zoom Ratio	Main: Optical x36, Digital x12 Sub: Optical x3, Digital x12
Focal Length	Main: f = 5.8 ~ 210mm, F1.5 ~ F4.8 Sub: f = 3.6 ~ 10mm, F1.5 ~ F2.5
Horizontal angle	Main: 60.0°(W) ~ 3.7°(T) Sub: 102.5°(W) ~ 59.8°(T)
MIN. Illumination	COLOR : 0.005 Lux@F1.5 B/W : 0.0005 Lux@F1.5, 0 Lux (IR)
Day & Night	Auto(CDS/CAM) / Day / Night(ICR)
Focus	Auto/Semi Auto/Manual
DNR(2D/3D)	OFF/Level Adjustment(1~5)
Shutter Speed	1 sec ~ 1/10,000sec(60/30 mode) 1 sec ~ 1/10,000sec(50/25 mode)
AGC	Auto/Manual
White Balance	Auto/Indoor/Outdoor/Manual
WDR/BLC	OFF/BLC/WDR(Digital)
Other Function	Defog(Digital), HLC, Dynamic slow shutter

## Pan/Tilt

Range	Pan: 360°(Endless) Tilt: -7° ~ 180° (Flip)
Speed	Preset: 240°/sec Manual: 0.05° ~ 180°/sec Scan: 1.4° ~ 150°/sec
Preset	255 Presets with Labels
Group	8 groups(Max. 16 presets)

## Dimension

Unit: mm



## General

Sensor In /Out	Built-in 4 Input / 2 Output(Relay)
Audio In / Out	1 Audio In / 1 Audio Out
Video Out	BNC: VBS 1.0 Vp-p
IR distance	More than 70m
Power	Dual: AC24V / DC12V 36W, Heater on(66W)
Approvals	KC, IP66
Housing	Weather proof/Vandal Proof Structure
Material	Body: Aluminum Die-casting
Dimension	Net: Ø210 x 353(H) mm
Weight	6.08 Kg(approx.)
Operating Temp.	-30°C ~ 50°C

## IP Encoder

Ethernet	10Base-T/100Base-Tx
Video Compression	H.265/H.264 / MJPEG
Video Stream	Main 1080p/720p
	Second D1/CIF/QCIF
	Third 1080p/720p/D1/CIF/QCIF
Stream Type	Video/Complex(Video/Audio) Stream
Frame Rate	Max. 30 /25 fps for 1080P/720P/D1/CIF/QCIF
Bitrate	30Kbps ~ 16Mbps. Supports CBR/VBR/FIX QP
Audio Compression	Two way, G.711 A-law, G.711 $\mu$ -law, 128kbps, sampling rate 8kHz
Local Storage	Micro SD/SDHC/SDXC card. Support up to 128GB
IVA	Motion Detection, Occlusion Detection, Line Crossing*, Region entrance/exiting*, Intrusion*, Tampering*, etc
Alarm actions	Email, Micro SD/SDCH/SDXC Record, Relay Output, Snapshot, Notification of Client
Alarm	Pre-Post Alarm
Max No. of Clients	10 users(Depending on user bandwidth)
Web Brower	IE 6.0 above
Protocols Support	IPv4 IPv4/IPv6*, TCP/IP, UDP, RTP, RTSP, RTMP, NTP, HTTP, HTTPS*, SSL*, DNS, DDNS, DHCP, FTP, SMTP, ICMP, SNMP*
	DDNS Public DDNS services Support: www.dyndns.com
	ONVIF PROFILE S
	Security User Authentication(ID/PW), IP Address/Mac Address filtering*

The specifications are subject to change without prior notice. (\*) This feature is under development and will be added in the future.


**PROBEDIGITAL Co.,Ltd.**

Probedigital is a company specializing in IP security surveillance that designs, manufacture and distributes based on the long experience and know-how. The main products are multi-sensor IP camera, IP PTZ camera, IP housing integrated bullet camera, mainly developed by differentiation based on product group using low-light zoom module and own technology.

#107 Hyundai I-Valley, 31, Galmachi-ro 244beon-gil, Jungwon-gu, Seongnam-si, Gyeonggi-do, 13212, Rep. of Korea

Tel: + 82.31.777.3490 | Fax: + 82. 31. 777. 3493 | E-mail: sales@probedigital.co.kr

[www.probedigital.com](http://www.probedigital.com)



## DIGITAL SURVEILLANCE SYSTEM

# x36 HD IP IR PTZ OUTDOOR CAMERA with WIPER

**NEW** PRB-H3600

1080p Full HD

ONVIF

Ultra-low Light



## Features

### Using Ultra-Low Light sensor

With 2M 1/1.9" CMOS image sensor, you can check High image quality and clear color images in dim light environment. It also has the ability to powerful low noise effect and outstanding noise reduction.

### Powerful zoom capability

x36 optical zoom, x12 digital zoom, excellent automatic focusing, and 5.8 ~ 210.0 mm focus range. Especially, since the aperture is F1.5~F4.8, it is possible to acquire better quality image than any other camera.

### Triple codec, Simultaneous multi steaming

Triple H/W codec enables to transmit max 3 independent streams with different settings for different requirements. Therefore, it is possible to combine seamless remote video monitoring using H.264/H.265 with simultaneous transmission to Network Video Recorder.

### Micro-Step Technology

Due to the Micro-step technology, on step angle is divided by 256. Accordingly, hi accuracy as well as ultra-low sound noise (>32.5dB) can be achieved. Micro-step technology enables low speed down to 0.05°/s.

### Built-in step out compensation with feedback control

Zero deviation positioning technology for ensuring high precision and accuracy in preset, never losing presets and group(patrol). High precision closed loop stepper motors and gears to provide accuracy, smoothness, stability and quietness of movements.

### Weather Proof Design

With IP67 protection, the camera ensures normal operation regardless of rain, snow or storm.

# Specifications

## Camera

Image Device	1/1.9" Progressive Scan CMOS
Effective Pixels	Approx. 2.38 Mega pixels
Aspect Ratio	HD: 16:9 SD: 4:3
Zoom Ratio	Optical x36, Digital x12
Focal Length	f = 5.8 ~ 210mm, F1.5 ~ F4.8
Horizontal angle	60.0°(W) ~ 3.70°(T)
MIN. Illumination	COLOR : 0.005 Lux@F1.5 B/W : 0.0005 Lux@F1.5, 0 Lux(IR on)
Day & Night	Auto(CDS/CAM) / Day / Night(ICR)
Focus	Auto/Semi Auto/Manual
DNR(2D/3D)	OFF/Level Adjustment(1~5)
Shutter Speed	1 sec ~ 1/10,000sec(60/30 mode) 1 sec ~ 1/10,000sec(50/25 mode)
AGC	Auto/Manual
White Balance	Auto/Indoor/Outdoor/Manual
WDR/BLC	OFF/BLC/WDR(Digital)
Other Function	Defog(Digital), HLC, Dynamic slow shutter

## General

Sensor In / Out	Built-in 1 Input / 2 Output(Relay)
Audio In / Out	1 Audio In / 1 Audio Out
Video Out	BNC: VBS 1.0 Vp-p
IR distance	More than 150M, Wave: 850nm (with adaptive synchronized with zoom ratio)
Wiper	Support
Power	AC 24V 36W
Approvals	KC, IP67
Housing	Weather proof/Vandal Proof Structure
Material	Body: Aluminum Die-casting
Dimension	Net: Ø211 x 350.6(H) mm
Weight	5 Kg(approx.)
Operating Temp.	-30°C ~ 50°C

## Pan/Tilt

Range	Pan: 360°(Endless) Tilt: -15° ~ 90° (Flip)
Speed	Preset: 240°/sec Manual: 0.05° ~ 180°/sec Scan: 1.4° ~ 150°/sec
Preset	255 Presets with Labels
Group	8 (Max. 16 presets)
Sound Noise	Under Max. 32.5dB

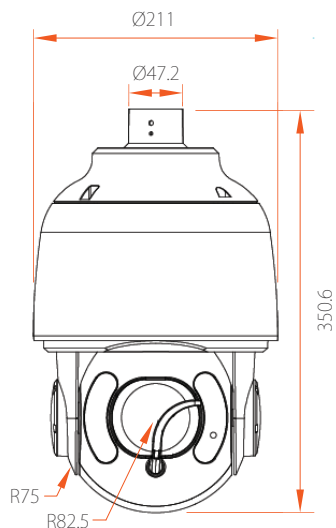
## IP Encoder

Ethernet	10Base-T/100Base-Tx
Video Compression	H.265/H.264 /MJPEG
Video Stream	Main 1080p/720p
	Second D1/CIF/QCIF
	Third 1080p/720p/D1/CIF/QCIF
Stream Type	Video/Complex(Video/Audio) Stream
Frame Rate	Max. 30 /25 fps for 1080P/720P/D1/CIF/QCIF
Bitrate	30Kbps ~ 16Mbps. Supports CBR/VBR/FIX QP
Audio Compression	Two way, G.711 A-law, G.711 $\mu$ -law, 128kbps, sampling rate 8kHz
Local Storage	Micro SD/SDHC/SDXC card. Support up to 128GB
IVA	Motion Detection, Occlusion Detection, Line Crossing*, Region entrance/exiting*, Intrusion*, Tampering*, etc
Alarm actions	Email, Micro SD/SDCH/SDXC Record, Relay Output, Snapshot, Notification of Client
Alarm	Pre-Post Alarm
Max No. of Clients	10 users(Depending on user bandwidth)
Web Brower	IE 6.0 above
Protocols Support	IPv4 IPv4/IPv6*, TCP/IP, UDP, RTP, RTSP, RTMP, NTP, HTTP, HTTPS*, SSL*, DNS, DDNS, DHCP, FTP, SMTP, ICMP, SNMP*
	DDNS Public DDNS services Suport: www.dyndns.com
	ONVIF PROFILE S
	Security User Authentication(ID/PW), IP Address/Mac Address filtering*

The specifications are subject to change without prior notice. (\*) This feature is under development and will be added in the future.

# Dimension

Unit: mm



PROBEDIGITAL Co.,Ltd.

Probedigital is a company specializing in IP security surveillance that designs, manufacture and distributes based on the long experience and know-how. The main products are multi-sensor IP camera, IP PTZ camera, IP housing integrated bullet camera, mainly developed by differentiation based on product group using low-light zoom module and own technology.

#107 Hyundai I-Valley, 31, Galmachi-ro 244beon-gil, Jungwon-gu, Seongnam-si, Gyeonggi-do, 13212, Rep. of Korea

Tel: + 82.31.777.3490 | Fax: + 82. 31. 777. 3493 | E-mail: sales@probedigital.co.kr

www.probedigital.com

# DIGITAL SURVEILLANCE SYSTEM

## x36 HD IP ZOOM BLOCK CAMERA with H/W Defog

**NEW** PN8536D-H2T



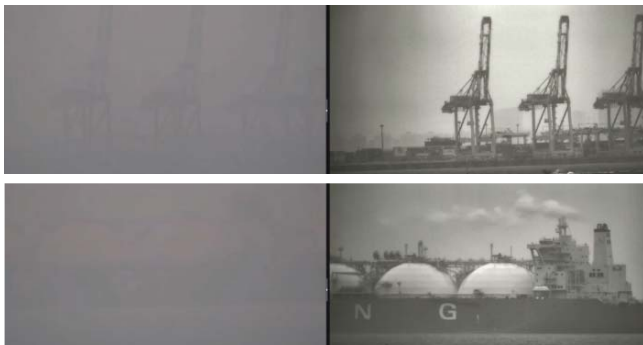
## Features

### New Special HD IP Zoom Block Camera

It is the world's first zoom block camera with built-in defog filter, and optimized image quality through 2<sup>nd</sup> defogging by FPGA using our defog algorithm.

General Camera image

Camera image with  
H/W Defog Filter & FPGA



### Powerful zoom capability

x36 optical zoom, x12 digital zoom, excellent automatic focusing, and 5.8 ~ 210.0 mm focus range. Especially, since the aperture is F1.5~F4.8, it is possible to acquire better quality image than any other camera.

### Triple codec, Simultaneous multi steaming

Triple H/W codec enables to transmit max 3 independent streams with different settings for different requirements. Therefore, it is possible to combine seamless remote video monitoring using H.264/H.265 with simultaneous transmission to Network Video Recorder.

## Specifications

Image Device	1/1.9" Progressive Scan CMOS
Effective Pixels	Approx. 2.38 Mega pixels
Aspect Ratio	HD: 16:9 SD: 4:3
Zoom Ratio	Main: Optical x36, Digital x12
Focal Length	Main: f = 5.8 ~ 210mm, F1.5 ~ F4.8
Horizontal angle	Main: 60.0°(W) ~ 3.70°(T)
MIN. Illumination	COLOR : 0.005 Lux@F1.5 B/W : 0.0005 Lux@F1.5, 0 Lux (IR)
Day & Night	Auto(CDS/CAM) / Day / Night(ICR)
Focus	Auto/Semi Auto/Manual
DNR(2D/3D)	OFF/Level Adjustment(1~5)
Shutter Speed	1 sec ~ 1/10,000sec(60/30 mode) 1 sec ~ 1/10,000sec(50/25 mode)
AGC	Auto/Manual
White Balance	Auto/Indoor/Outdoor/Manual
WDR/BLC	OFF/BLC/WDR(Digital)
Other Function	Defog(Digital), HLC, Dynamic slow shutter

# DIGITAL SURVEILLANCE SYSTEM

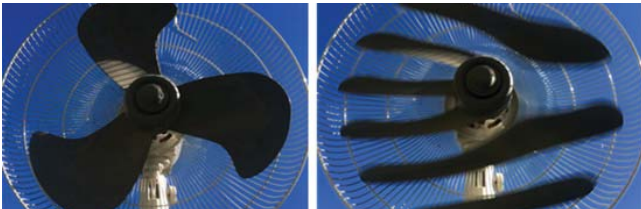
# x12 HD IP ZOOM BLOCK CAMERA with Global Shutter

**NEW** PN8512G-H2T



## Features

### New H.264/H.265 HD IP zoom block camera with global shutter



This camera also output a trigger signal for IR LED integrating to match the license plate recognition system.



### Powerful zoom capability

x12 optical zoom, x12 digital zoom, excellent automatic focusing, and 7.0 ~ 84.0 mm focus range. Especially, since the aperture is F1.5~F1.9, it is possible to acquire better quality image than any other camera.

### Triple codec, Simultaneous multi streaming

Triple H/W codec enables to transmit max 3 independent streams with different settings for different requirements. Therefore, it is possible to combine seamless remote video monitoring using H.264/H.265 with simultaneous transmission to Network Video Recorder.

## Specifications

Image Device	1/1.8" Progressive Scan CMOS(Color)
Effective Pixels	Approx. 3.19 Mega pixels
Aspect Ratio	HD: 16:9 SD: 4:3
Zoom Ratio	Main: Optical x12, Digital x12
Focal Length	Main: f = 7.0 ~ 84mm, F1.5 ~ F1.9
Horizontal angle	Main: 51.1°(W) ~ 5.0°(T)
MIN. Illumination	COLOR : 0.005 Lux@F1.5 B/W : 0.0005 Lux@F1.5, 0 Lux (IR)
Day & Night	Auto(CDS/CAM) / Day / Night(ICR)
Focus	Auto/Semi Auto/Manual
DNR(2D/3D)	OFF/Level Adjustment(1~5)
Shutter Speed	1 sec ~ 1/10,000sec(60/30 mode) 1 sec ~ 1/10,000sec(50/25 mode)
AGC	Auto/Manual
White Balance	Auto/Indoor/Outdoor/Manual
WDR/BLC	OFF/BLC/WDR(Digital)
Trigger output	With Vsync(30Hz), For External IR LED
Other Function	Defog(Digital), HLC, Dynamic slow shutter



### PROBEDIGITAL Co.,Ltd.

Probedigital is a company specializing in IP security surveillance that designs, manufacture and distributes based on the long experience and know-how. The main products are multi-sensor IP camera, IP PTZ camera, IP housing integrated bullet camera, mainly developed by differentiation based on product group using low-light zoom module and own technology.

#107 Hyundai I-Valley, 31, Galmachi-ro 244beon-gil, Jungwon-gu, Seongnam-si, Gyeonggi-do, 13212, Rep. of Korea

Tel: + 82.31.777.3490 | Fax: + 82. 31. 777. 3493 | E-mail: sales@probedigital.co.kr

[www.probedigital.com](http://www.probedigital.com)